

General Notes

NOTE:
 THE DATA IN THIS DOCUMENT INCORPORATES THE PROPRIETARY RIGHTS OF BARBIZON CAPITOL, INC. ANY PARTY ACCEPTING THIS DOCUMENT DOES SO IN CONFIDENCE, AND AGREES THAT IT SHALL NOT BE DUPLICATED, IN WHOLE OR IN PART, NOR DISCLOSED TO OTHERS WITHOUT THE WRITTEN CONSENT OF BARBIZON CAPITOL, INC.

DRAWING RESTRICTIONS:
 THESE DRAWINGS REPRESENT VISUAL CONCEPTS AND CONSTRUCTION SUGGESTIONS ONLY. IT IS NOT THE DESIGNER'S RESPONSIBILITY TO DETERMINE STRUCTURAL AND/OR ELECTRICAL APPROPRIATENESS OF THIS DESIGN AND THE DESIGNER DOES NOT ASSUME RESPONSIBILITY FOR IMPROPER ENGINEERING, CONSTRUCTION, HANDLING, OR USE OF THE REPRESENTED EQUIPMENT.

D	Submittal Rev.	8/16/07
C	Submittal Rev.	5/24/07
B	Submittal Rev.	5/10/07
A	Submittal	7/11/06
No.	Revision/Issue	Date

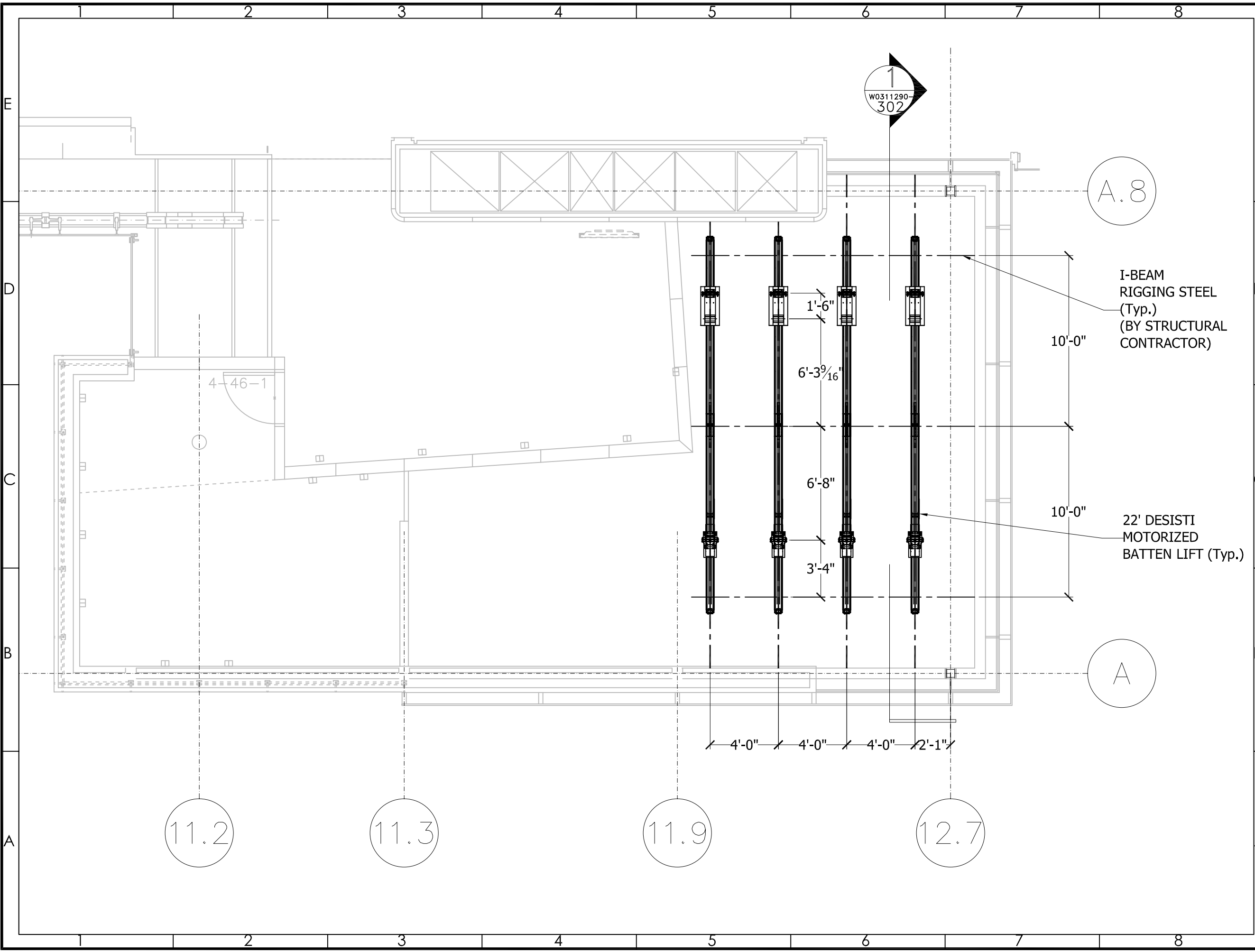
Newseum
 Studio B
 Washington D.C.

Studio B Truss Rigging Plan

Representative: **Bill Price**
 Project Manager: **Mark Fink**
 Drawn By: **S. Sizemore** Sheet: **W0311290 - 301A**
 Date: **8/16/07**
 Scale: **3/16"=1'-0"**

BARBIZON
 LIGHTING COMPANY
 SYSTEMS DIVISION

6437G GENERAL GREEN WAY
 ALEXANDRIA, VA 22312
 PHONE - (703) 750-3900
 FAX - (703) 750-9047



General Notes

NOTE:
 THE DATA IN THIS DOCUMENT INCORPORATES THE PROPRIETARY RIGHTS OF BARBIZON CAPITOL, INC. ANY PARTY ACCEPTING THIS DOCUMENT DOES SO IN CONFIDENCE, AND AGREES THAT IT SHALL NOT BE DUPLICATED, IN WHOLE OR IN PART, NOR DISCLOSED TO OTHERS WITHOUT THE WRITTEN CONSENT OF BARBIZON CAPITOL, INC.

DRAWING RESTRICTIONS:
 THESE DRAWINGS REPRESENT VISUAL CONCEPTS AND CONSTRUCTION SUGGESTIONS ONLY. IT IS NOT THE DESIGNER'S RESPONSIBILITY TO DETERMINE STRUCTURAL AND/OR ELECTRICAL APPROPRIATENESS OF THIS DESIGN AND THE DESIGNER DOES NOT ASSUME RESPONSIBILITY FOR IMPROPER ENGINEERING, CONSTRUCTION, HANDLING, OR USE OF THE REPRESENTED EQUIPMENT.

D	Submittal Rev.	8/16/07
C	Submittal Rev.	5/24/07
B	Submittal Rev.	5/10/07
A	Submittal	7/11/06
No.	Revision/Issue	Date

Newseum
 Studio B
 Washington D.C.

Studio B Hoist Rigging Plan

Representative: **Bill Price**
 Project Manager: **Mark Fink**
 Drawn By: **S. Sizemore** Sheet: **W0311290-301B**
 Date: **8/16/07**
 Scale: **3/16"=1'-0"**

BARBIZON
 LIGHTING COMPANY
 SYSTEMS DIVISION

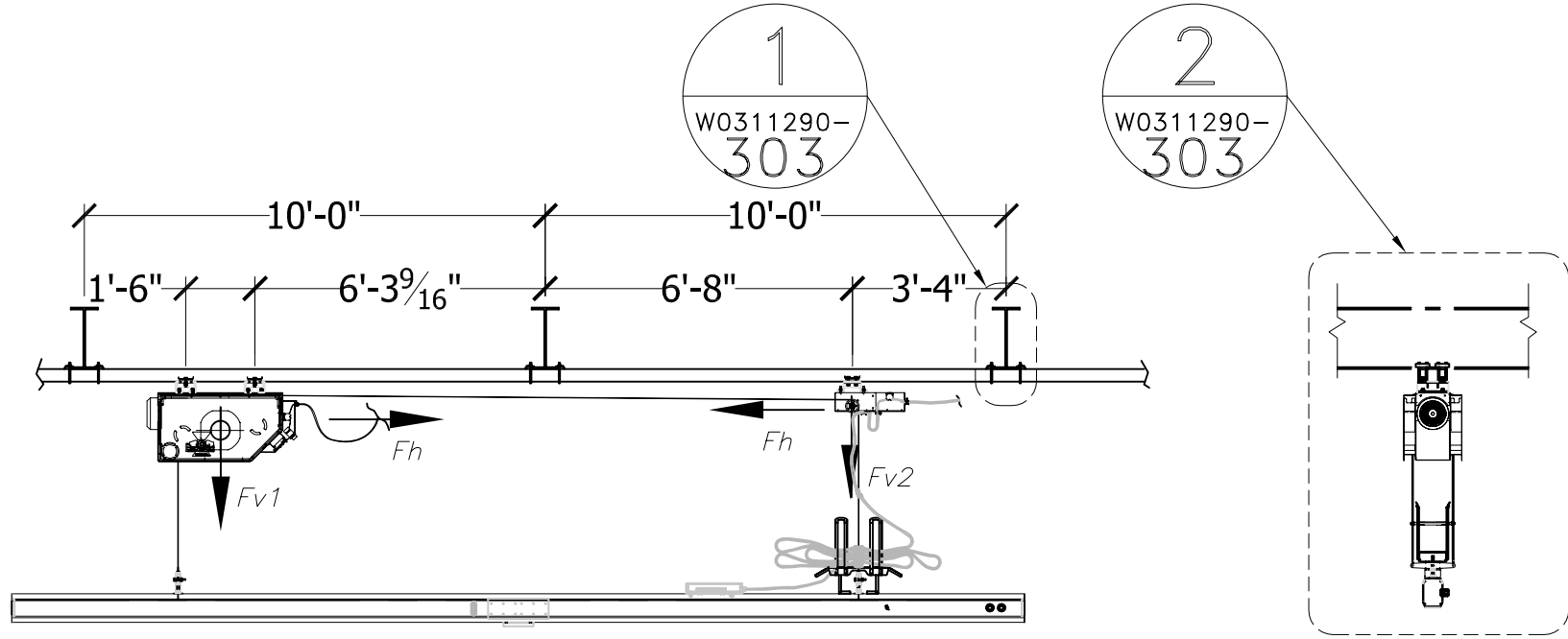
6437G GENERAL GREEN WAY
 ALEXANDRIA, VA 22312
 PHONE - (703) 750-3900
 FAX - (703) 750-9047

11.2

11.3

11.9

12.7



Stage hoist

Static load

Self weight fixed parts 330Lbs

Max self weight of the moving parts 400 Lbs

SWL = 1000 Lbs

Static load $Fv1 = 300 + (400/2) + (1000/2) = 1000$ Lbs

Static load $Fv2 = 30 + (400/2) + (1000/2) = 730$ Lbs

Total static and vertical load = $Fv1 + Fv2 = 1000 + 730 = 1730$ Lbs

$Fh = 700$ Lbs

Dynamic load

Moving parts dynamic load = 1680 Lbs

$Fv1 = (1680/2) + 300 = 1140$ Lbs

$Fv2 = (1680/2) + 300 = 870$ Lbs

Total dynamic load vertical forces = $1680 + 330 = 2010$ LBS

$Fh = 1680/2 = 840$ Lbs

Note

Using an additional beam interface supplied by others the horizontal forces (called Fh) will be not applied on the main structure

General Notes

NOTE:
THE DATA IN THIS DOCUMENT INCORPORATES THE PROPRIETARY RIGHTS OF BARBIZON CAPITOL, INC. ANY PARTY ACCEPTING THIS DOCUMENT DOES SO IN CONFIDENCE, AND AGREES THAT IT SHALL NOT BE DUPLICATED, IN WHOLE OR IN PART, NOR DISCLOSED TO OTHERS WITHOUT THE WRITTEN CONSENT OF BARBIZON CAPITOL, INC.

DRAWING RESTRICTIONS:
THESE DRAWINGS REPRESENT VISUAL CONCEPTS AND CONSTRUCTION SUGGESTIONS ONLY. IT IS NOT THE DESIGNER'S RESPONSIBILITY TO DETERMINE STRUCTURAL AND/OR ELECTRICAL APPROPRIATENESS OF THIS DESIGN AND THE DESIGNER DOES NOT ASSUME RESPONSIBILITY FOR IMPROPER ENGINEERING, CONSTRUCTION, HANDLING, OR USE OF THE REPRESENTED EQUIPMENT.

D	Submittal Rev.	8/16/07
C	Submittal Rev.	5/24/07
B	Submittal Rev.	5/10/07
A	Submittal	7/11/06
No.	Revision/Issue	Date

Newseum
Studio B

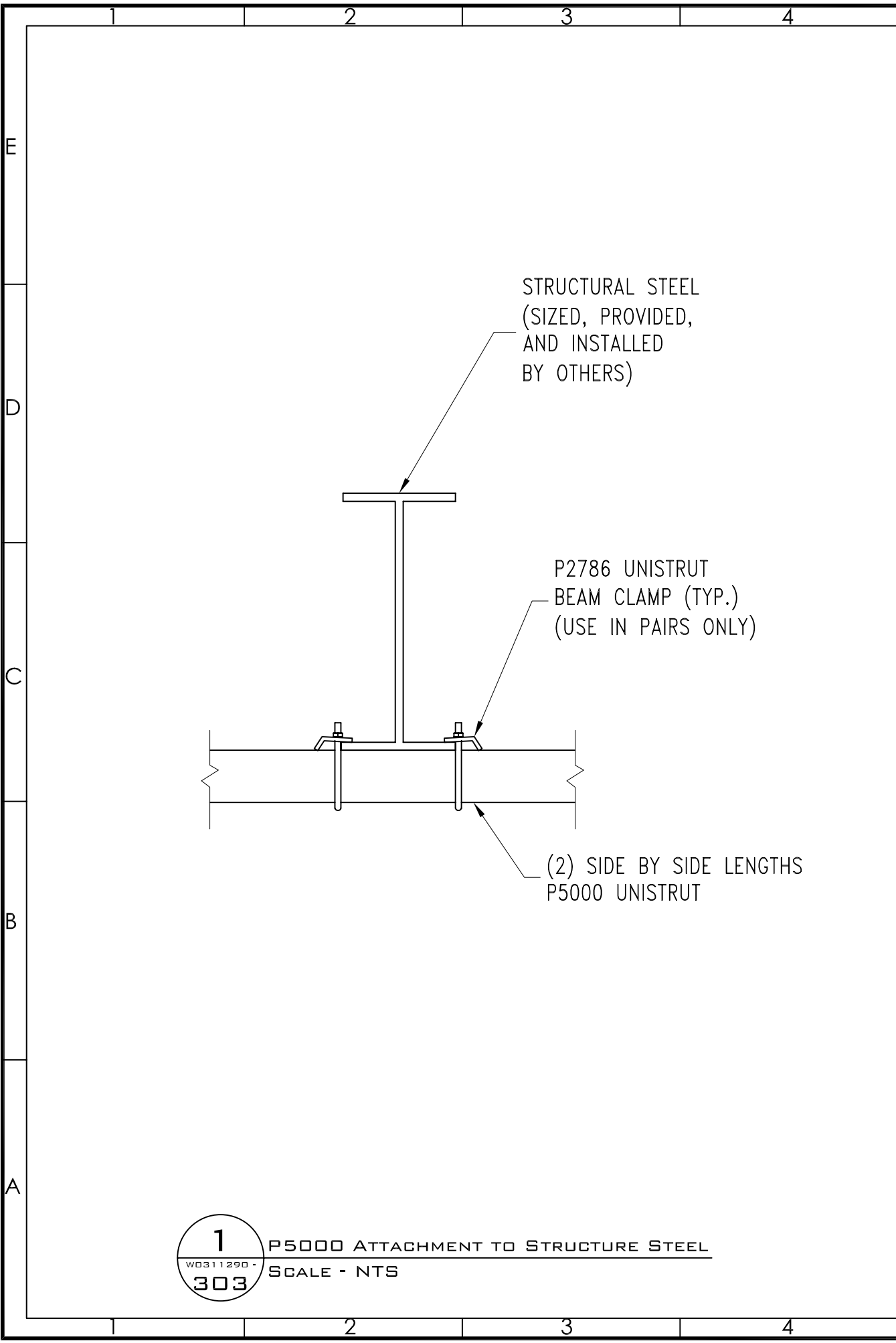
Washington D.C.

Studio B Hoist Rigging
Elevation

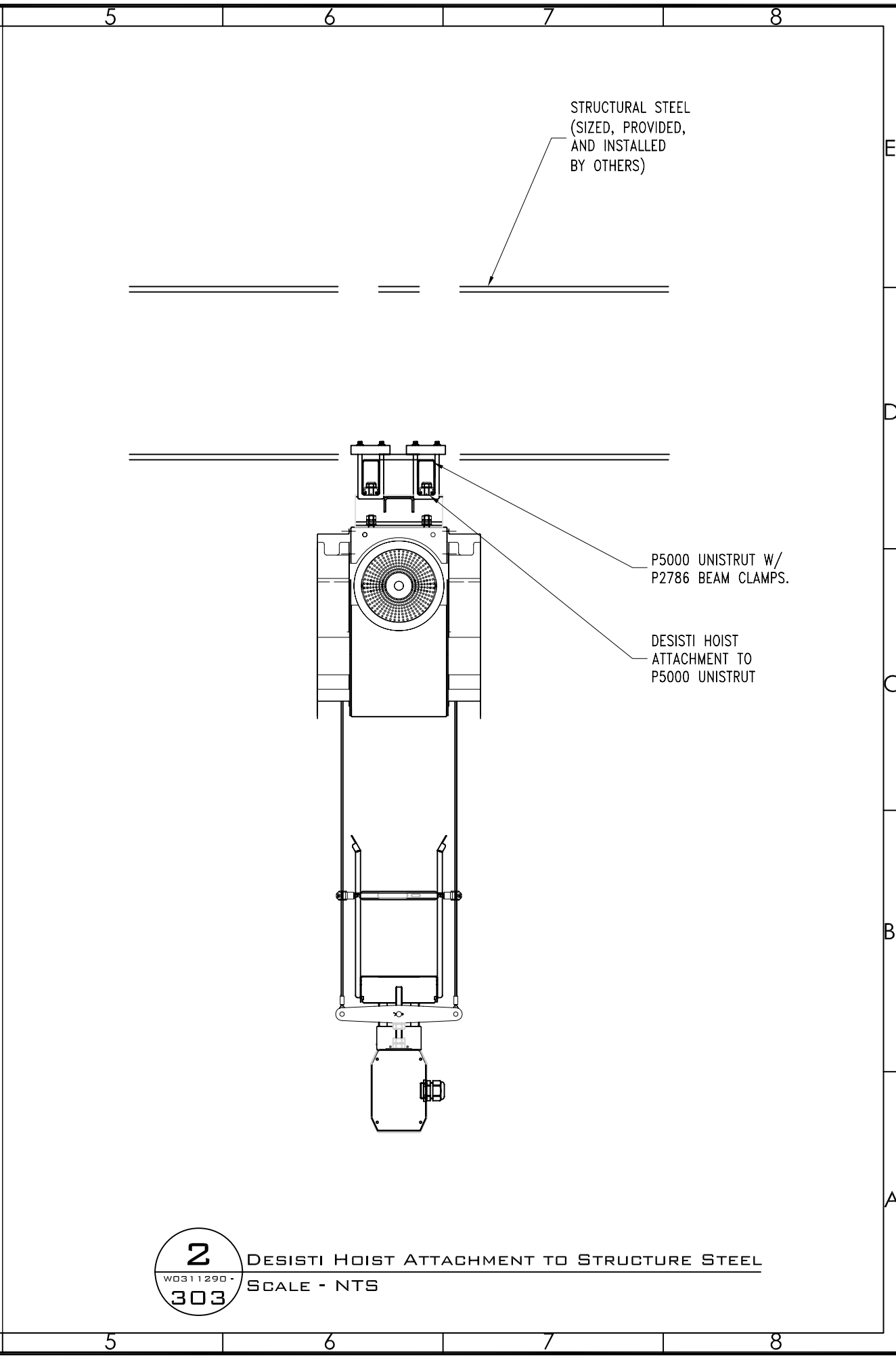
Representative:	Bill Price
Project Manager:	Mark Fink
Drawn By:	S. Sizemore
Date:	8/16/07
Scale:	1/4"=1'-0"
Sheet:	W0311290-302

BARBIZON
LIGHTING COMPANY
SYSTEMS DIVISION

6437G GENERAL GREEN WAY
ALEXANDRIA, VA 22312
PHONE - (703) 750-3900
FAX - (703) 750-9047



1 P5000 ATTACHMENT TO STRUCTURE STEEL
 W0311290 -
303 SCALE - NTS



2 DESISTI HOIST ATTACHMENT TO STRUCTURE STEEL
 W0311290 -
303 SCALE - NTS

General Notes

NOTE:
 THE DATA IN THIS DOCUMENT INCORPORATES THE PROPRIETARY RIGHTS OF BARBIZON CAPITOL, INC. ANY PARTY ACCEPTING THIS DOCUMENT DOES SO IN CONFIDENCE, AND AGREES THAT IT SHALL NOT BE DUPLICATED, IN WHOLE OR IN PART, NOR DISCLOSED TO OTHERS WITHOUT THE WRITTEN CONSENT OF BARBIZON CAPITOL, INC.

DRAWING RESTRICTIONS:
 THESE DRAWINGS REPRESENT VISUAL CONCEPTS AND CONSTRUCTION SUGGESTIONS ONLY. IT IS NOT THE DESIGNER'S RESPONSIBILITY TO DETERMINE STRUCTURAL AND/OR ELECTRICAL APPROPRIATENESS OF THIS DESIGN AND THE DESIGNER DOES NOT ASSUME RESPONSIBILITY FOR IMPROPER ENGINEERING, CONSTRUCTION, HANDLING, OR USE OF THE REPRESENTED EQUIPMENT.

D	Submittal Rev.	8/16/07
C	Submittal Rev.	5/24/07
B	Submittal Rev.	5/10/07
A	Submittal	7/11/06
No.	Revision/Issue	Date

Newseum
Studio B

Washington D.C.

Studio B Hoist Rigging
Details

Representative: Bill Price
 Project Manager: Mark Fink
 Drawn By: S. Sizemore
 Date: 8/16/07
 Scale: As Noted

Sheet:
**W0311290 -
 303**

BARBIZON
 LIGHTING COMPANY
 SYSTEMS DIVISION

6437G GENERAL GREEN WAY
 ALEXANDRIA, VA 22312
 PHONE - (703) 750-3900
 FAX - (703) 750-9047