

PLAN NOTES

CONNECTOR STRIPS AND GRID BOXES TO BE MOUNTED ATOP UPPER PIPE OF PIPE GRID.
 WALL BOXES TO BE SURFACE MOUNTED AT 3'-6" A.F.F. TO CENTER OF BOX.
 TOTAL OF (612) 20 AMP CIRCUITS IN STUDIO. (455) ON CONNECTOR STRIPS, (102) ON GRID BOXES AND (55) ON WALL BOXES.
 ALL LOAD CONDUCTORS TO BE CONTINUOUS, WITHOUT BREAKS OR SPLICES.
 ALL LOAD CIRCUITS TO BE WIRED WITH THEIR OWN DEDICATED NEUTRAL.
 ALL 20 AMP CIRCUITS TO BE WIRED UTILIZING #10 THHN STRANDED WIRE.
 ALL 50 AMP CIRCUITS TO BE WIRED UTILIZING #6 THHN STRANDED WIRE.
 ALL DEVICE GROUNDS TO BE BONDED TOGETHER IN WIREWAY OR HANDY BOX AND LANDED AT DIMMER RACK AS ONE WIRE.
 LAND ALL STUDIO LIGHTING CIRCUITS ONTO TERMINALS IN DIMMER RACK. ALL CIRCUITS TO ENTER VIA HANDY BOX FROM BELOW DIMMER RACK. DIMMER RACKS, DIMMERS, DIMMER CONTROL ELECTRONICS AND BUSSING SHALL BE MANUFACTURED BY ELECTRONIC THEATRE CONTROLS.
 CONTRACTOR SHALL RING ALL CIRCUITS FOR CONTINUITY AND CORRECT CIRCUIT NUMBERING.
 SEE SHEET BARB-E-8 FOR DEVICE SPREADSHEET.

KEY NOTES

- 1 CONNECTOR STRIPS ARE PRE-WIRED TO JUNCTION BOX TERMINALS. EACH CIRCUIT ON STRIP REQUIRES 1- HOT AND 1- NEUTRAL. EACH STRIP REQUIRES 1- GROUND. ALL MUST BE WIRED FROM TERMINALS TO DIMMER RACK UTILIZING 10"x10" WIREWAY OR PROPERLY SIZED EMT.
- 2 ALL 20 AMP CIRCUITS ARE PRE-TERMINATED IN JUNCTION BOX OF STRIP. ALL MUST BE WIRED FROM TERMINALS TO DIMMER RACK UTILIZING 10"x10" WIREWAY OR PROPERLY SIZED EMT.
- 3 ALL 50 AMP CIRCUITS ARE PRE-TERMINATED IN JUNCTION BOX OF STRIP. ALL MUST BE WIRED FROM TERMINALS TO DIMMER RACK UTILIZING 10"x10" WIREWAY OR PROPERLY SIZED EMT.
- 4 WALL BOX WIRING TO BE ROUTED THRU 10"x10" WIREWAY OR PROPERLY SIZED EMT TO DIMMER RACK. ALL GRID BOXES TO BE MANUFACTURED BY RIGGING INNOVATORS.
- 5 GRID BOX WIRING TO BE ROUTED THRU 10"x10" WIREWAY OR PROPERLY SIZED EMT TO DIMMER RACK. ALL GRID BOXES TO BE MANUFACTURED BY RIGGING INNOVATORS.
- 6 10"x10" HINGED COVER WIREWAY TO BE PROVIDED AND INSTALLED BY CONTRACTOR. EMT AND FLEX CONDUIT TO BE PROVIDED AND INSTALLED BY CONTRACTOR FOR ROUTING ALL STUDIO LIGHTING CIRCUITS TO 10"x10" WIREWAYS OR HANDY BOX. A STAND-OFF OF 3" ABOVE PIPE GRID FOR WIREWAY IS REQUIRED.
- 7 SEE WIREWAY TRANSITION DETAIL 2, SHEET BARB-E-6
- 8 SEE J-BOX TO 10"x10" WIREWAY DETAIL 6, SHEET BARB-E-6
- 9 SEE WALL BOX DETAIL 1, SHEET BARB-E-5
- 10 SEE GRID BOX DETAIL 3, SHEET BARB-E-5
- 11 SEE CONNECTOR STRIP DETAIL 4, SHEET BARB-E-5
- 12 SEE WALL BOX DETAIL 2, SHEET BARB-E-5
- 13 SEE WIREWAY TRANSITION DETAIL 1, SHEET BARB-E-6

DRAWING RESTRICTIONS:
 THESE DRAWINGS REPRESENT VISUAL CONCEPTS AND CONSTRUCTION SUGGESTIONS ONLY. IT IS NOT THE DESIGNER'S RESPONSIBILITY TO DETERMINE STRUCTURAL APPROPRIATENESS OF THIS DESIGN AND THE DESIGNER DOES NOT ASSUME RESPONSIBILITY FOR IMPROPER ENGINEERING, CONSTRUCTION, HANDLING, OR USE OF THE REPRESENTED EQUIPMENT.

NOTE:
 THE DATA IN THIS DOCUMENT INCORPORATES THE PROPRIETARY RIGHTS OF BARBIZON, INC. ANY PARTY ACCEPTING THIS DOCUMENT DOES SO IN CONFIDENCE, AND AGREES THAT IT SHALL NOT BE DUPLICATED, IN WHOLE OR IN PART, NOR DISCLOSED TO OTHERS WITHOUT THE WRITTEN CONSENT OF BARBIZON, INC.

No.	Revision/Issue	Date

ACOUSTICAL ENGR.

Shen Milson & Wilke

CONSULTANTS IN ACOUSTICS, AUDIOVISUAL AND TELECOMMUNICATION SYSTEMS
 417 5th Avenue, 5th Floor, NEW YORK, NY 10016
 212-725-6800 FAX: 212-725-0864

ARCHITECT:

HLW

HLW International LLP
 Architecture Engineering Planning Interiors
 115 Fifth Avenue New York NY 10003
 Tel 212 353 4600 Fax 212 353 4666

FEA

FACILITIES ENGINEERING ASSOCIATES
 128 Garden Street, Farmington, CT 06032
 Phone: 860-677-2285 Fax: 860-676-9433
 www.feace.com

ESPN

DIGITAL CENTER
 720 BIRCH STREET
 BRISTOL, CT

STUDIO E PLAN VIEW
 BROADCAST LIGHTING
 POWER DISTRIBUTION

Representative: W. CAPPS
 Project Manager: BARB -
 Drawn By: S. SIZEMORE
 Date: 3-7-03
 Scale: 3/16"=1'-0"

Sheet: **E-2**

BARBIZON

LIGHTING FOR PROFESSIONALS
 SYSTEMS DIVISION

3 DRAPER STREET
 WOBURN, MA 01801
 PHONE - (781) 935-3920
 FAX - (781) 935-9273

PLAN NOTES

CONNECTOR STRIPS AND GRID BOXES TO BE MOUNTED ATOP UPPER PIPE OF PIPE GRID.
 WALL BOXES TO BE SURFACE MOUNTED AT 3'-6" A.F.F. TO CENTER OF BOX.
 TOTAL OF (356) 20 AMP CIRCUITS IN STUDIO. (232) ON CONNECTOR STRIPS, (84) ON GRID BOXES AND (40) ON WALL BOXES.
 ALL LOAD CIRCUITS TO BE PROVIDED WITH THEIR OWN DEDICATED NEUTRAL.
 ALL 20 AMP CIRCUITS TO BE WIRED UTILIZING #10 THHN STRANDED WIRE.
 ALL 50 AMP CIRCUITS TO BE WIRED UTILIZING #6 THHN STRANDED WIRE.
 ALL DEVICE GROUNDS TO BE BONDED TOGETHER IN WIREWAY OR HANDY BOX AND LANDED AT DIMMER RACK AS ONE WIRE.
 LAND ALL STUDIO LIGHTING CIRCUITS ONTO TERMINALS IN DIMMER RACK. ALL CIRCUITS TO ENTER VIA HANDY BOX FROM BELOW DIMMER RACK. DIMMER RACKS, DIMMERS, DIMMER CONTROL ELECTRONICS AND BUSSING SHALL BE MANUFACTURED BY ELECTRONIC THEATRE CONTROLS.
 CONTRACTOR SHALL RING ALL CIRCUITS FOR CONTINUITY AND CORRECT CIRCUIT NUMBERING.
 SEE SHEET BARB-E-B FOR DEVICE SPREADSHEET.

KEY NOTES

- 1 CONNECTOR STRIPS ARE PRE-WIRED TO JUNCTION BOX TERMINALS. EACH CIRCUIT ON STRIP REQUIRES 1- HOT AND 1- NEUTRAL. EACH STRIP REQUIRES 1- GROUND. ALL MUST BE WIRED FROM TERMINALS TO DIMMER RACK UTILIZING 10"x10" WIREWAY OR PROPERLY SIZED EMT.
- 2 ALL 20 AMP CIRCUITS ARE PRE-TERMINATED IN JUNCTION BOX OF STRIP. ALL MUST BE WIRED FROM TERMINALS TO DIMMER RACK UTILIZING 10"x10" WIREWAY OR PROPERLY SIZED EMT.
- 3 ALL 50 AMP CIRCUITS ARE PRE-TERMINATED IN JUNCTION BOX OF STRIP. ALL MUST BE WIRED FROM TERMINALS TO DIMMER RACK UTILIZING 10"x10" WIREWAY OR PROPERLY SIZED EMT.
- 4 WALL BOX WIRING TO BE ROUTED THRU 10"x10" WIREWAY OR PROPERLY SIZED EMT TO DIMMER RACK. ALL GRID BOXES TO BE MANUFACTURED BY RIGGING INNOVATORS.
- 5 GRID BOX WIRING TO BE ROUTED THRU 10"x10" WIREWAY OR PROPERLY SIZED EMT TO DIMMER RACK. ALL GRID BOXES TO BE MANUFACTURED BY RIGGING INNOVATORS.
- 6 10"x10" HINGED COVER WIREWAY TO BE PROVIDED AND INSTALLED BY CONTRACTOR. EMT AND FLEX CONDUIT TO BE PROVIDED AND INSTALLED BY CONTRACTOR FOR ROUTING ALL STUDIO LIGHTING CIRCUITS TO 10"x10" WIREWAYS OR HANDY BOX. A STAND-OFF OF 3" ABOVE PIPE GRID FOR WIREWAY IS REQUIRED.
- 7 SEE WIREWAY TRANSITION DETAIL 2, SHEET BARB-E-6
- 8 SEE J-BOX TO 10"x10" WIREWAY DETAIL 6, SHEET BARB-E-6
- 9 SEE WALL BOX DETAIL 1, SHEET BARB-E-5
- 10 SEE GRID BOX DETAIL 3, SHEET BARB-E-5
- 11 SEE CONNECTOR STRIP DETAIL 4, SHEET BARB-E-5
- 12 SEE WALL BOX DETAIL 2, SHEET BARB-E-5

DRAWING RESTRICTIONS:
 THESE DRAWINGS REPRESENT VISUAL CONCEPTS AND CONSTRUCTION SUGGESTIONS ONLY. IT IS NOT THE DESIGNER'S RESPONSIBILITY TO DETERMINE STRUCTURAL APPROPRIATENESS OF THIS DESIGN AND THE DESIGNER DOES NOT ASSUME RESPONSIBILITY FOR IMPROPER ENGINEERING, CONSTRUCTION, HANDLING, OR USE OF THE REPRESENTED EQUIPMENT.

NOTE:
 THE DATA IN THIS DOCUMENT INCORPORATES THE PROPRIETARY RIGHTS OF BARBIZON, INC. ANY PARTY ACCEPTING THIS DOCUMENT DOES SO IN CONFIDENCE, AND AGREES THAT IT SHALL NOT BE DUPLICATED, IN WHOLE OR IN PART, NOR DISCLOSED TO OTHERS WITHOUT THE WRITTEN CONSENT OF BARBIZON, INC.

No.	Revision/Issue	Date

ACOUSTICAL ENGR.

Shen Milsom & Wilke

CONSULTANTS IN ARCHITECTURE, AUDIOVISUAL AND TELECOMMUNICATION SYSTEMS
 417 5th Avenue, 5th Floor, NEW YORK, NY 10016
 212-725-8800 FAX: 212-725-0864

ARCHITECT:

HLW

HLW International LLP
 Architecture Engineering Planning Interiors
 115 Fifth Avenue New York NY 10003
 Tel 212 353 4600 Fax 212 353 4666

FEA

FACILITIES ENGINEERING ASSOCIATES
 128 Garden Street, Farmington, CT 06032
 Phone: 860-677-2285 Fax: 860-676-9433
 www.feace.com

ESPN®

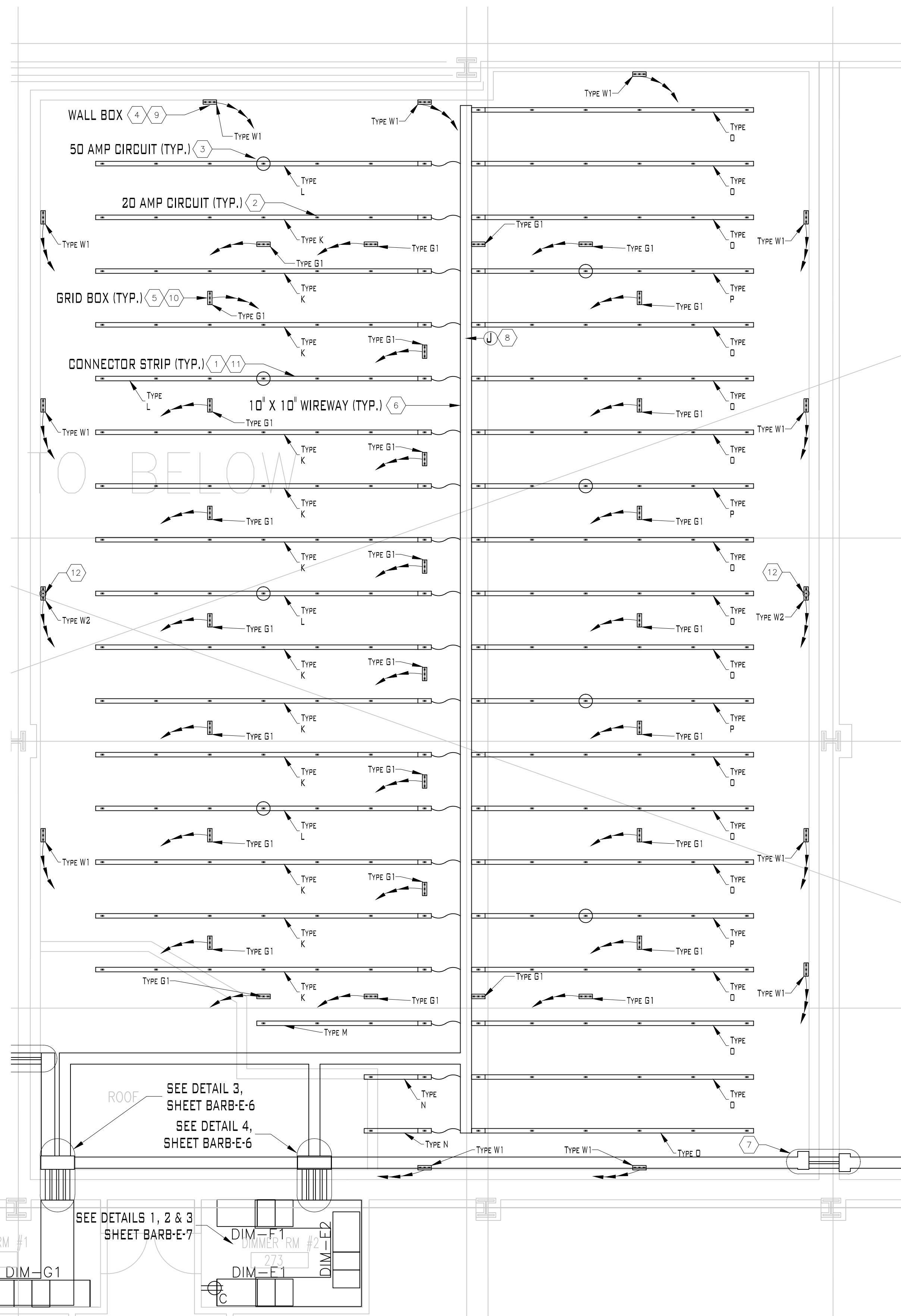
DIGITAL CENTER
 720 BIRCH STREET
 BRISTOL, CT

STUDIO F PLAN VIEW
 BROADCAST LIGHTING
 POWER DISTRIBUTION

Representative: W. CAPPS
 Project Manager: BARB -
 Drawn By: S. SIZEMORE
 Date: 3-7-03
 Scale: 3/16"=1'-0"
E-3

BARBIZON
 LIGHTING FOR PROFESSIONALS
 SYSTEMS DIVISION

3 DRAPER STREET
 WOBURN, MA 01801
 PHONE - (781) 935-3920
 FAX - (781) 935-9273

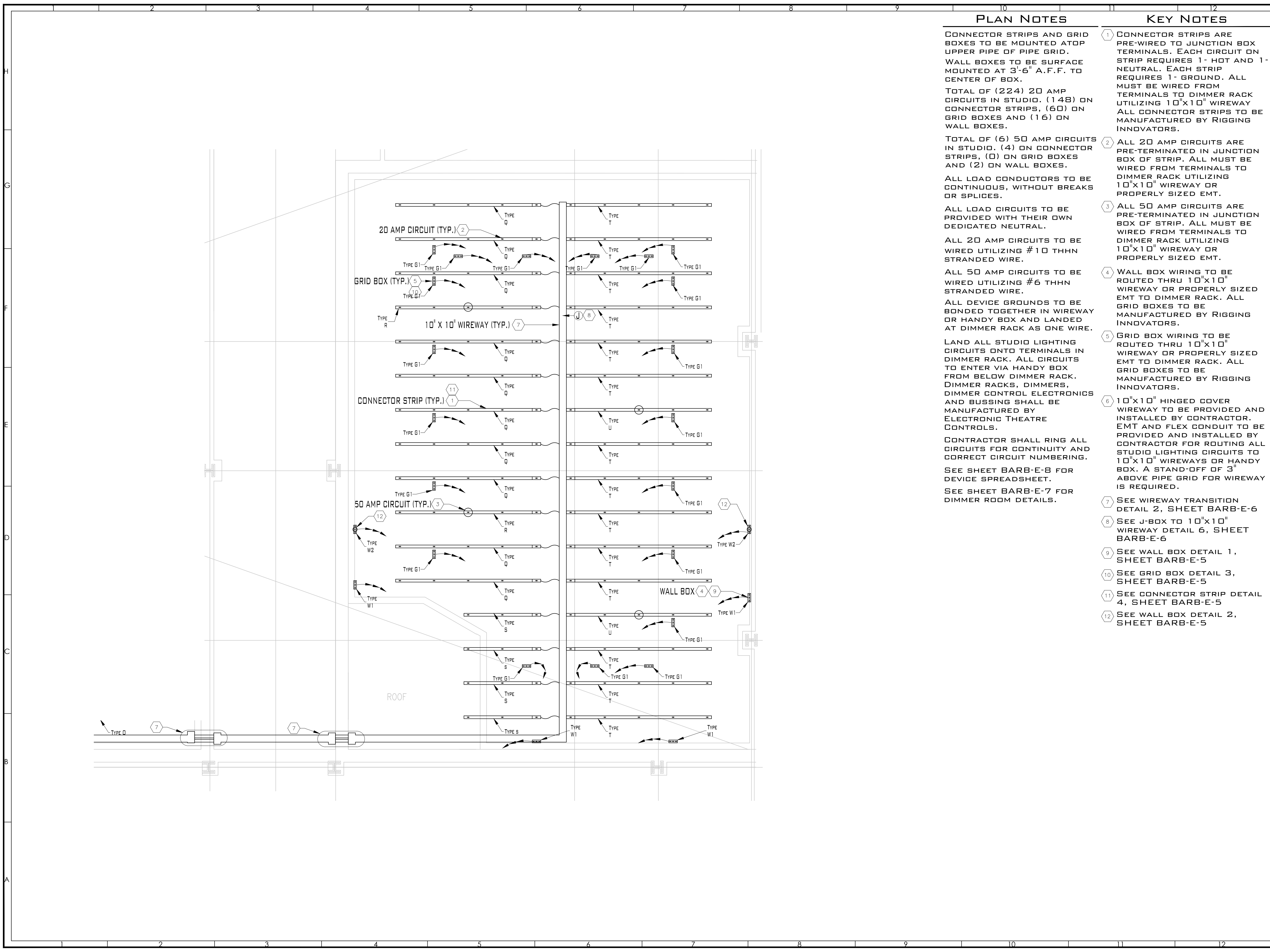


SEE DETAILS 4 & 5
 SHEET BARB-E-7

ROOF
 SEE DETAIL 3,
 SHEET BARB-E-6
 SEE DETAIL 4,
 SHEET BARB-E-6

SEE DETAILS 1, 2 & 3
 SHEET BARB-E-7





PLAN NOTES

CONNECTOR STRIPS AND GRID BOXES TO BE MOUNTED ATOP UPPER PIPE OF PIPE GRID.
 WALL BOXES TO BE SURFACE MOUNTED AT 3'-6" A.F.F. TO CENTER OF BOX.
 TOTAL OF (224) 20 AMP CIRCUITS IN STUDIO. (148) ON CONNECTOR STRIPS, (60) ON GRID BOXES AND (16) ON WALL BOXES.
 ALL LOAD CONDUCTORS TO BE CONTINUOUS, WITHOUT BREAKS OR SPLICES.
 ALL LOAD CIRCUITS TO BE PROVIDED WITH THEIR OWN DEDICATED NEUTRAL.
 ALL 20 AMP CIRCUITS TO BE WIRED UTILIZING #10 THHN STRANDED WIRE.
 ALL 50 AMP CIRCUITS TO BE WIRED UTILIZING #6 THHN STRANDED WIRE.
 ALL DEVICE GROUNDS TO BE BONDED TOGETHER IN WIREWAY OR HANDY BOX AND LANDED AT DIMMER RACK AS ONE WIRE.
 LAND ALL STUDIO LIGHTING CIRCUITS ONTO TERMINALS IN DIMMER RACK. ALL CIRCUITS TO ENTER VIA HANDY BOX FROM BELOW DIMMER RACK. DIMMER RACKS, DIMMERS, DIMMER CONTROL ELECTRONICS AND BUSSING SHALL BE MANUFACTURED BY ELECTRONIC THEATRE CONTROLS.
 CONTRACTOR SHALL RING ALL CIRCUITS FOR CONTINUITY AND CORRECT CIRCUIT NUMBERING.
 SEE SHEET BARB-E-8 FOR DEVICE SPREADSHEET.
 SEE SHEET BARB-E-7 FOR DIMMER ROOM DETAILS.

KEY NOTES

- 1 CONNECTOR STRIPS ARE PRE-WIRED TO JUNCTION BOX TERMINALS. EACH CIRCUIT ON STRIP REQUIRES 1- HOT AND 1- NEUTRAL. EACH STRIP REQUIRES 1- GROUND. ALL MUST BE WIRED FROM TERMINALS TO DIMMER RACK UTILIZING 10"x10" WIREWAY ALL CONNECTOR STRIPS TO BE MANUFACTURED BY RIGGING INNOVATORS.
- 2 ALL 20 AMP CIRCUITS ARE PRE-TERMINATED IN JUNCTION BOX OF STRIP. ALL MUST BE WIRED FROM TERMINALS TO DIMMER RACK UTILIZING 10"x10" WIREWAY OR PROPERLY SIZED EMT.
- 3 ALL 50 AMP CIRCUITS ARE PRE-TERMINATED IN JUNCTION BOX OF STRIP. ALL MUST BE WIRED FROM TERMINALS TO DIMMER RACK UTILIZING 10"x10" WIREWAY OR PROPERLY SIZED EMT.
- 4 WALL BOX WIRING TO BE ROUTED THRU 10"x10" WIREWAY OR PROPERLY SIZED EMT TO DIMMER RACK. ALL GRID BOXES TO BE MANUFACTURED BY RIGGING INNOVATORS.
- 5 GRID BOX WIRING TO BE ROUTED THRU 10"x10" WIREWAY OR PROPERLY SIZED EMT TO DIMMER RACK. ALL GRID BOXES TO BE MANUFACTURED BY RIGGING INNOVATORS.
- 6 10"x10" HINGED COVER WIREWAY TO BE PROVIDED AND INSTALLED BY CONTRACTOR. EMT AND FLEX CONDUIT TO BE PROVIDED AND INSTALLED BY CONTRACTOR FOR ROUTING ALL STUDIO LIGHTING CIRCUITS TO 10"x10" WIREWAYS OR HANDY BOX. A STAND-OFF OF 3" ABOVE PIPE GRID FOR WIREWAY IS REQUIRED.
- 7 SEE WIREWAY TRANSITION DETAIL 2, SHEET BARB-E-6
- 8 SEE J-BOX TO 10"x10" WIREWAY DETAIL 6, SHEET BARB-E-6
- 9 SEE WALL BOX DETAIL 1, SHEET BARB-E-5
- 10 SEE GRID BOX DETAIL 3, SHEET BARB-E-5
- 11 SEE CONNECTOR STRIP DETAIL 4, SHEET BARB-E-5
- 12 SEE WALL BOX DETAIL 2, SHEET BARB-E-5

DRAWING RESTRICTIONS:
 THESE DRAWINGS REPRESENT VISUAL CONCEPTS AND CONSTRUCTION SUGGESTIONS ONLY. IT IS NOT THE DESIGNER'S RESPONSIBILITY TO DETERMINE STRUCTURAL APPROPRIATENESS OF THIS DESIGN AND THE DESIGNER DOES NOT ASSUME RESPONSIBILITY FOR IMPROPER ENGINEERING, CONSTRUCTION, HANDLING, OR USE OF THE REPRESENTED EQUIPMENT.

NOTE:
 THE DATA IN THIS DOCUMENT INCORPORATES THE PROPRIETARY RIGHTS OF BARBIZON, INC. ANY PARTY ACCEPTING THIS DOCUMENT DOES SO IN CONFIDENCE, AND AGREES THAT IT SHALL NOT BE DUPLICATED, IN WHOLE OR IN PART, NOR DISCLOSED TO OTHERS WITHOUT THE WRITTEN CONSENT OF BARBIZON, INC.

No.	Revision/Issue	Date

ACOUSTICAL ENGR.
Shen Milsom & Wilke
 CONSULTANTS IN ACOUSTICS, AUDIOVISUAL AND TELECOMMUNICATION SYSTEMS
 417 5th Avenue, 5th Floor, NEW YORK, NY 10018
 212-725-8800 FAX: 212-725-0864

ARCHITECT:
HLW
 HILWAY International LLP
 Architecture Engineering Planning Interiors
 115 Fifth Avenue New York NY 10003
 Tel 212 353 4600 Fax 212 353 4666

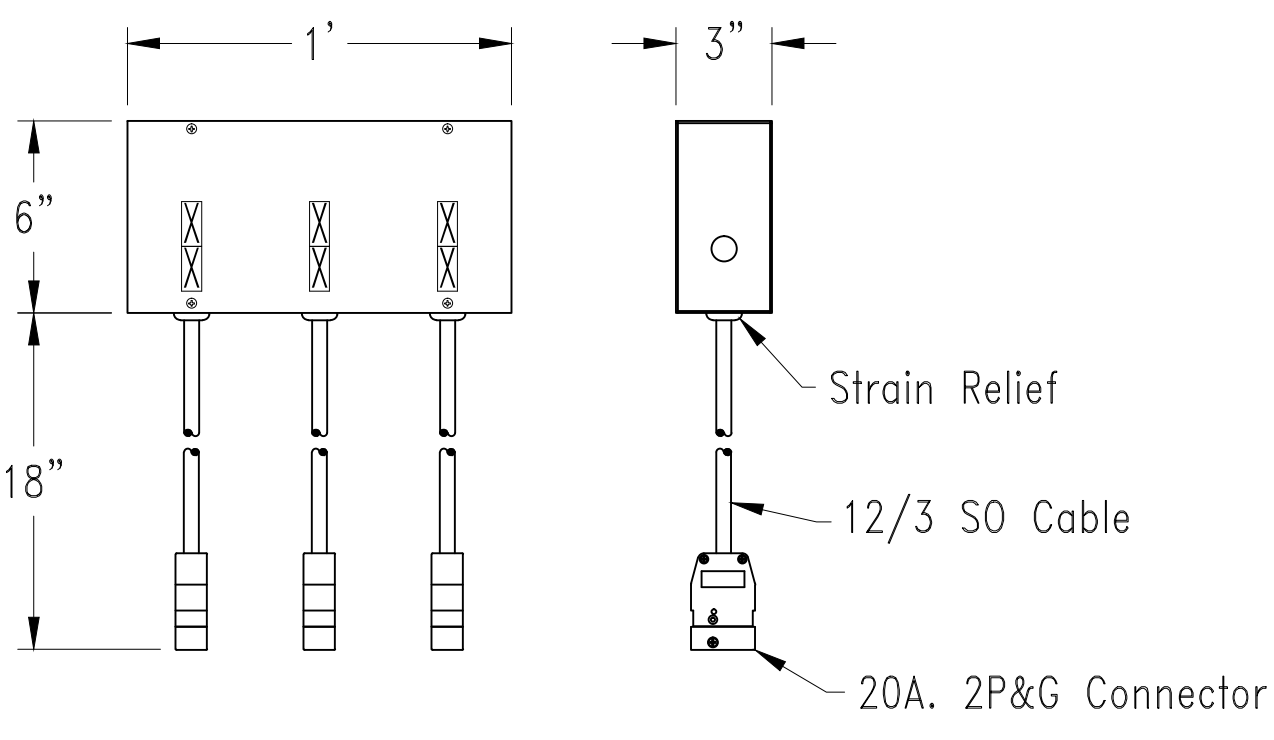
FEA
 FACILITIES ENGINEERING ASSOCIATES
 128 Garden Street, Farmington, CT 06032
 Phone: 860-677-2285 Fax: 860-676-9433
 www.feace.com

ESPN®
 DIGITAL CENTER
 720 BIRCH STREET
 BRISTOL, CT

**STUDIO G PLAN VIEW
 BROADCAST LIGHTING
 POWER DISTRIBUTION**

Representative: W. CAPPS
 Project Manager: BARB -
 Drawn By: S. SIZEMORE
 Date: 3-7-03
 Scale: 3/16"=1'-0"
E-4

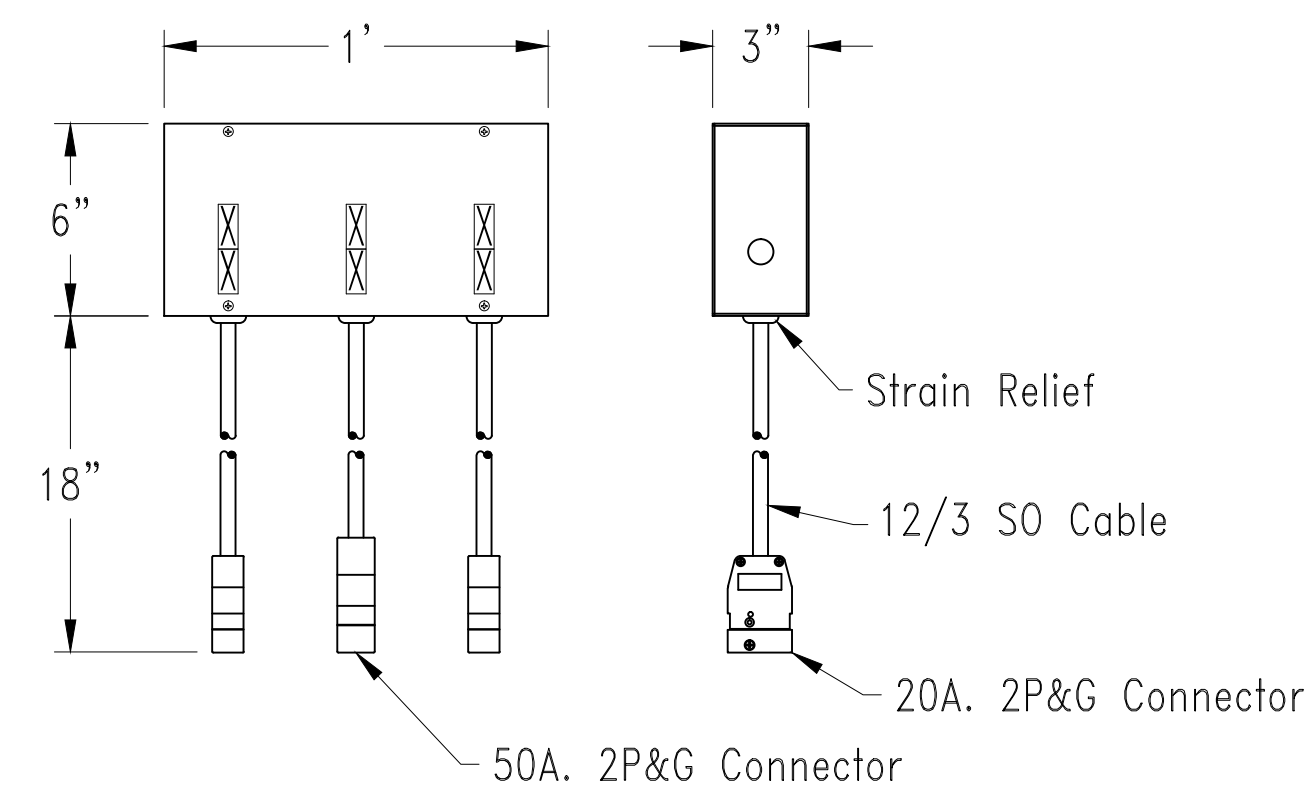
BARBIZON
 LIGHTING FOR PROFESSIONALS
 SYSTEMS DIVISION
 3 DRAPER STREET
 WOBURN, MA 01801
 PHONE - (781) 935-3920
 FAX - (781) 935-9273



QTY. - 33
 MODEL # - WB412-3A
 TYPE - W1 (Wall Mount Outlet Box)

(SEE STUDIO CKT. SCHEDULES ON
 PLATE TE-XX FOR INDIVIDUAL OUTLET BOX INFO)

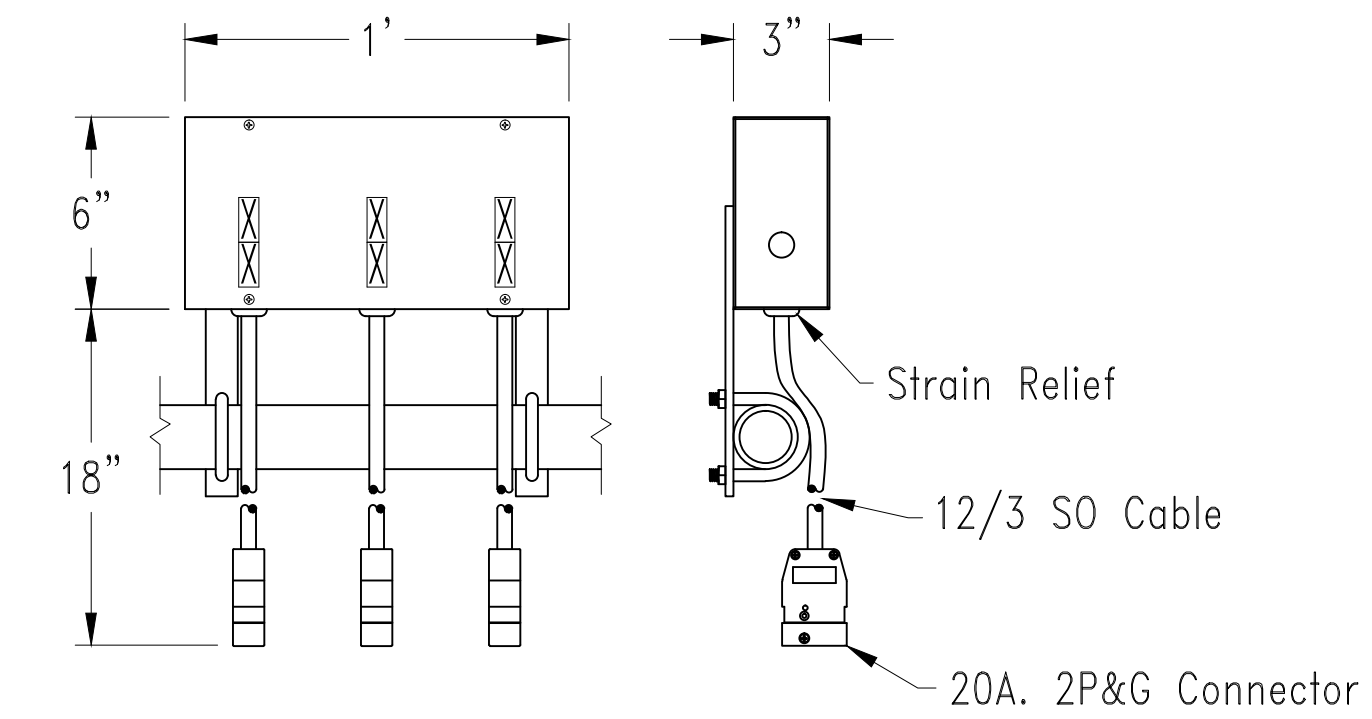
1 3 CKT. WALL BOX (TYPE W1)
 BARB E-5 SCALE - NTS



QTY. - 6
 MODEL # - WB412-3A
 TYPE - W2 (Wall Mount Outlet Box)

(SEE STUDIO CKT. SCHEDULES ON
 PLATE TE-XX FOR INDIVIDUAL OUTLET BOX INFO)

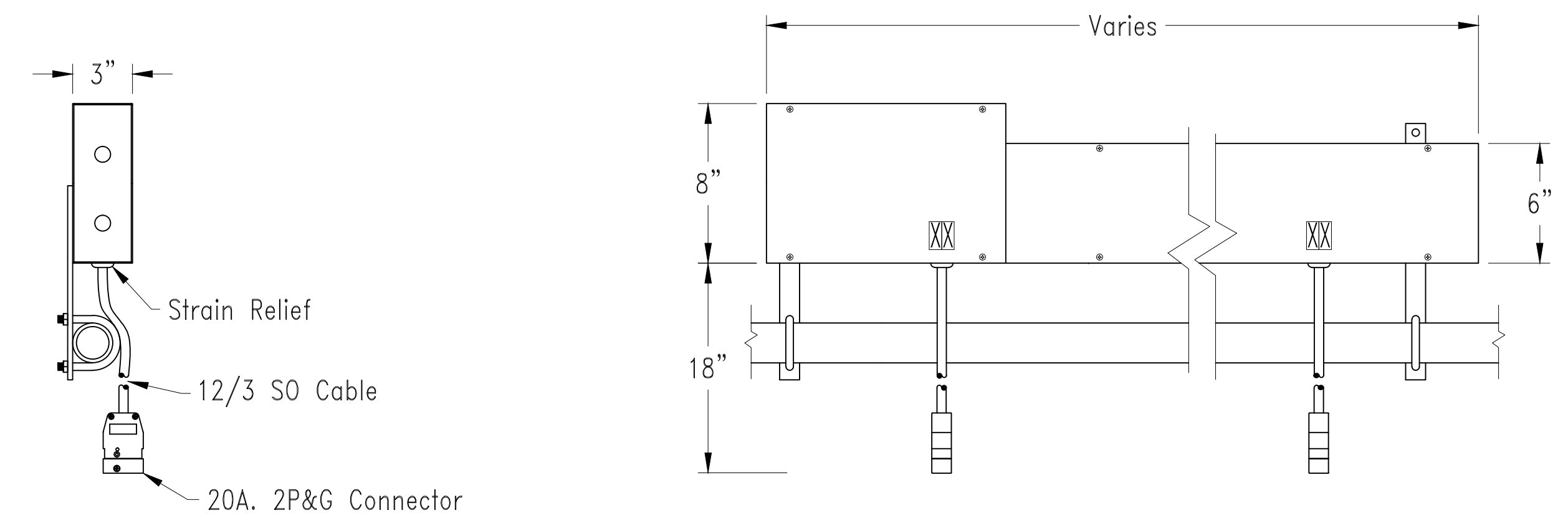
2 3 CKT. WALL BOX (TYPE W2)
 BARB E-5 SCALE - NTS



QTY. - 82
 MODEL # - WB412-3A
 TYPE - G1 (Pipe Mount Outlet Box)

(SEE STUDIO CKT. SCHEDULES ON
 PLATE TE-XX FOR INDIVIDUAL OUTLET BOX INFO)

3 3 CKT. PIPE BOX (TYPE G1)
 BARB E-5 SCALE - NTS



MODEL # - CS34-1-PIPE
 TYPE - A Through U

(SEE STUDIO CKT. SCHEDULES ON
 PLATE TE-XX FOR INDIVIDUAL CONNECTOR STRIP INFO)

4 CONNECTOR STRIP (TYPES A THROUGH U)
 BARB E-5 SCALE - NTS

DRAWING RESTRICTIONS:
 THESE DRAWINGS REPRESENT
 VISUAL CONCEPTS AND
 CONSTRUCTION SUGGESTIONS
 ONLY. IT IS NOT THE
 DESIGNER'S RESPONSIBILITY TO
 DETERMINE STRUCTURAL
 APPROPRIATENESS OF THIS
 DESIGN AND THE DESIGNER
 DOES NOT ASSUME
 RESPONSIBILITY FOR IMPROPER
 ENGINEERING, CONSTRUCTION,
 HANDLING, OR USE OF THE
 REPRESENTED EQUIPMENT.

NOTE:
 THE DATA IN THIS DOCUMENT
 INCORPORATES THE
 PROPRIETARY RIGHTS OF
 BARBIZON, INC. ANY PARTY
 ACCEPTING THIS DOCUMENT
 DOES SO IN CONFIDENCE, AND
 AGREES THAT IT SHALL NOT BE
 DUPLICATED, IN WHOLE OR IN
 PART, NOR DISCLOSED TO
 OTHERS WITHOUT THE WRITTEN
 CONSENT OF BARBIZON, INC.

No.	Revision/Issue	Date

ACOUSTICAL ENGR.

Shen Milson & Wilke

CONSULTANTS IN ACOUSTICS, AUDIOVISUAL AND TELECOMMUNICATION SYSTEMS
 417 5th Avenue, 4th Floor, NEW YORK, NY 10016
 212-725-6800 FAX: 212-725-0864

ARCHITECT:

HLW

HLW International LLP
 Architecture Engineering Planning Interiors
 115 Fifth Avenue New York NY 10003
 Tel 212 353 4600 Fax 212 353 4666

FEA

FACILITIES ENGINEERING ASSOCIATES
 128 Garden Street, Farmington, CT 06032
 Phone: 860-677-2285 Fax: 860-676-9433
 www.feace.com

ESPN

DIGITAL CENTER
 720 BIRCH STREET
 BRISTOL, CT

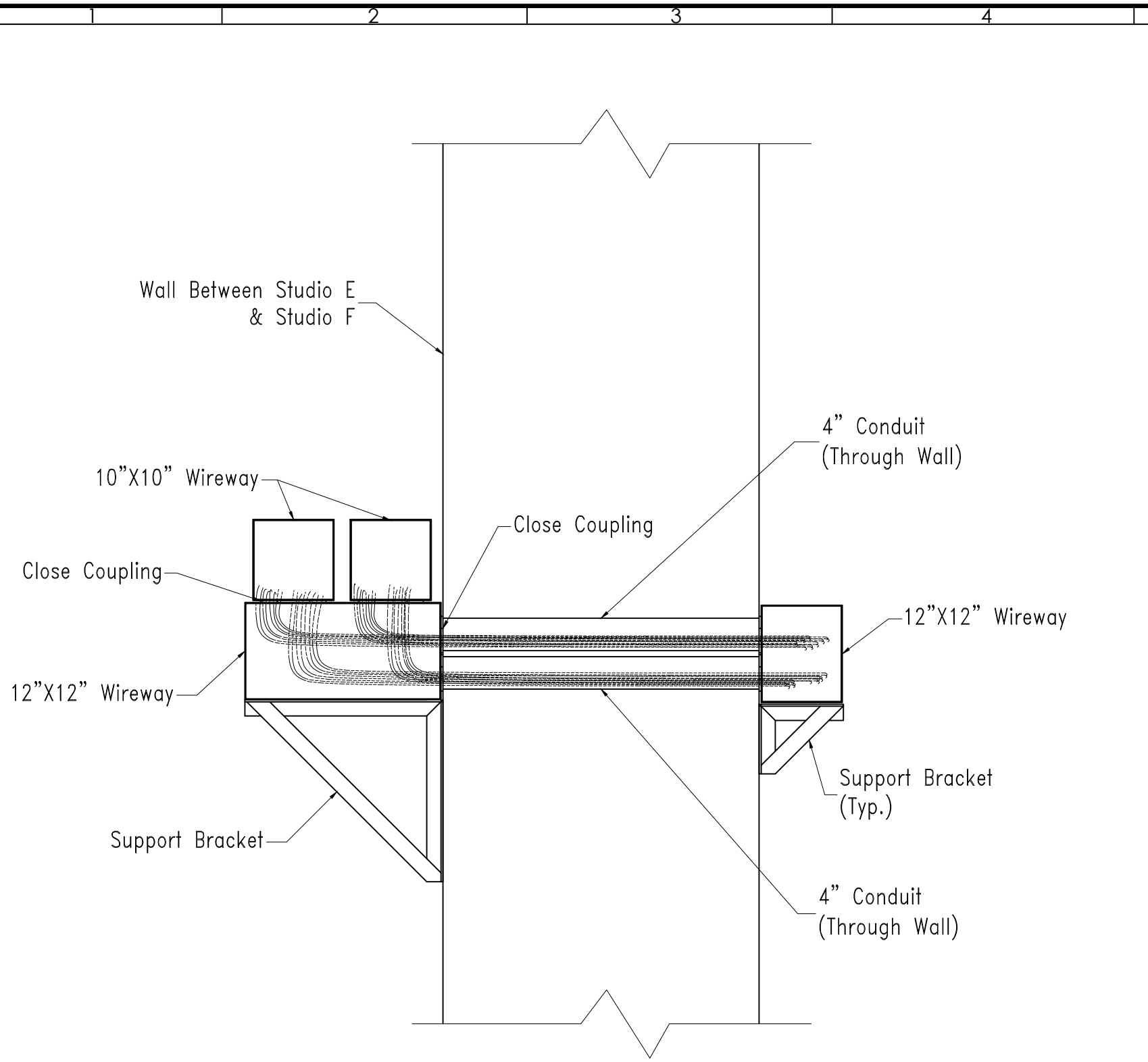
Dimming Device Details 1

Representative: W. CAPPS Sheet:
 Project Manager: BARB -
 Drawn By: S. SIZEMORE
 Date: 3-7-03
 Scale: As Noted **E-5**

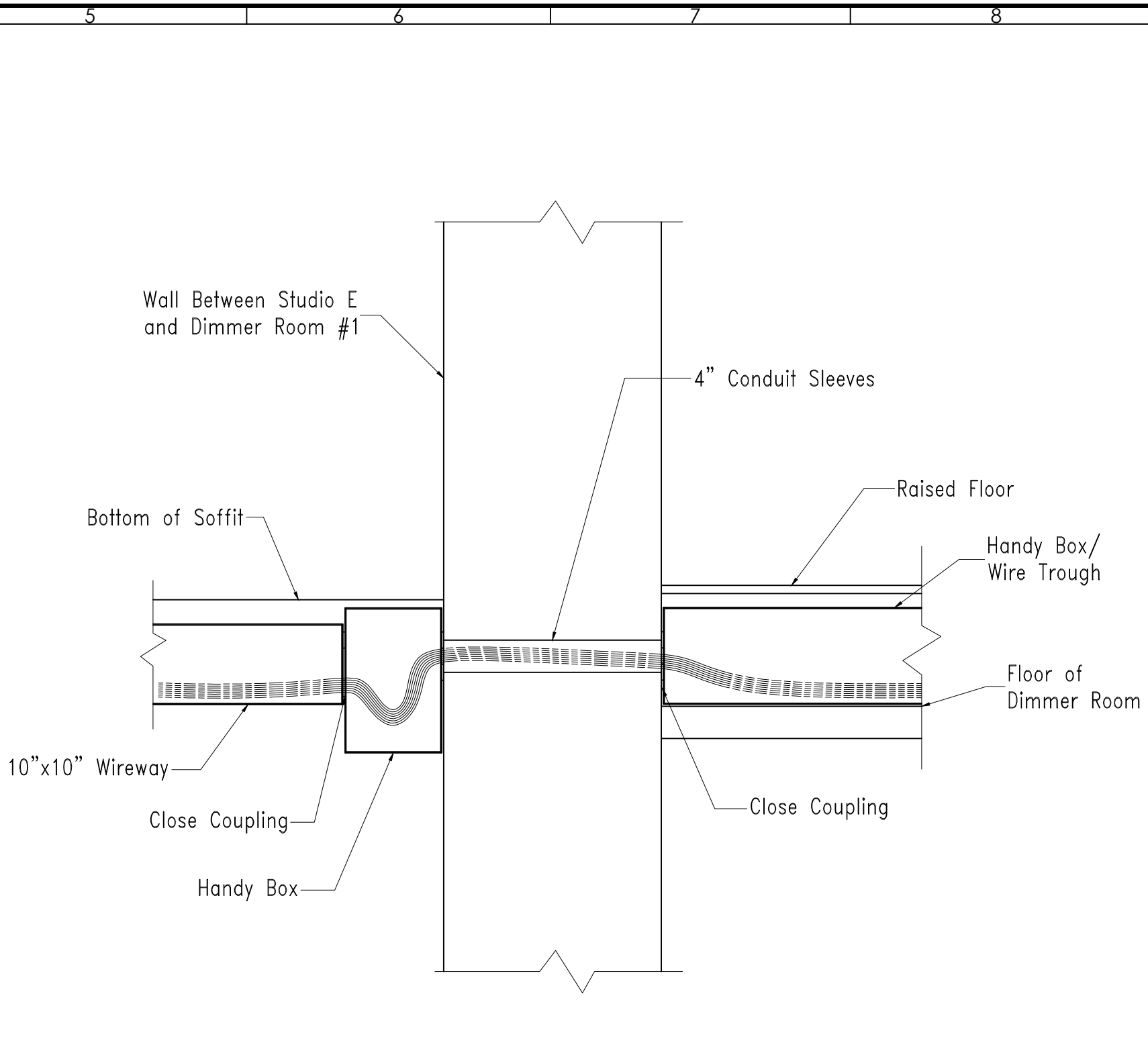
BARBIZON

LIGHTING FOR PROFESSIONALS
 SYSTEMS DIVISION

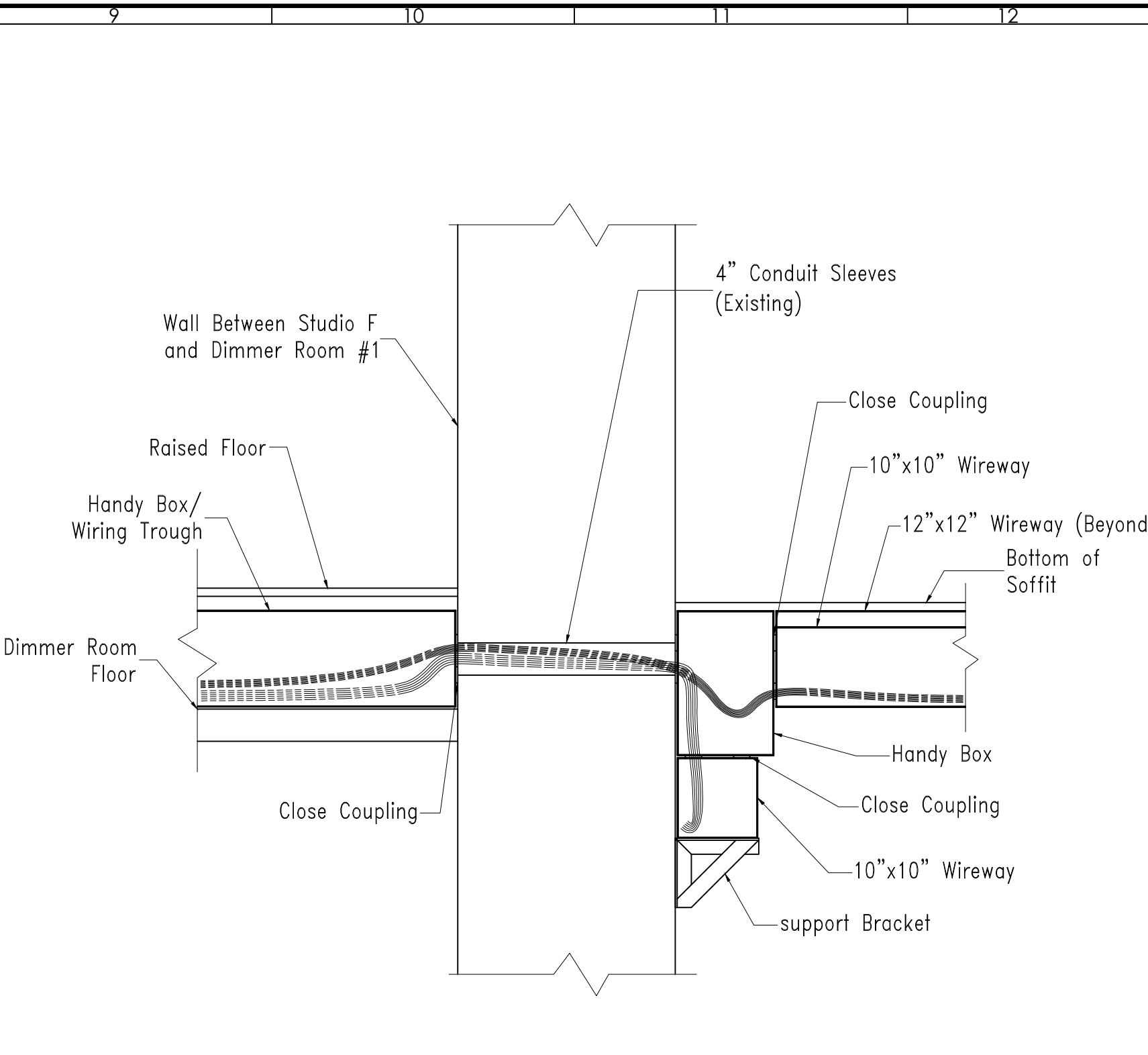
3 DRAPER STREET
 WOBURN, MA 01801
 PHONE - (781) 935-3920
 FAX - (781) 935-9273



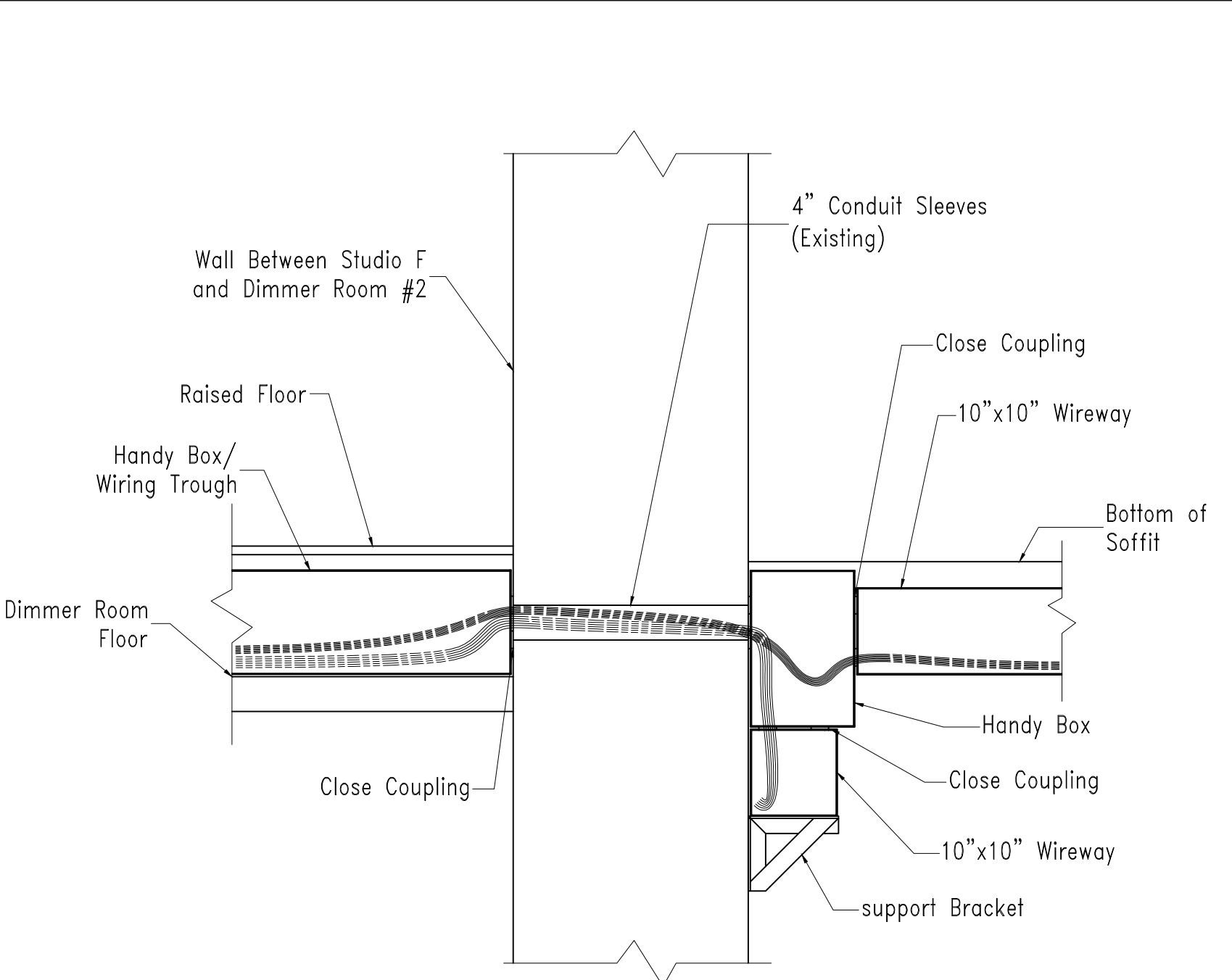
1 WIREWAY TRANSITION DETAIL
 BARB E-6 SCALE - NTS



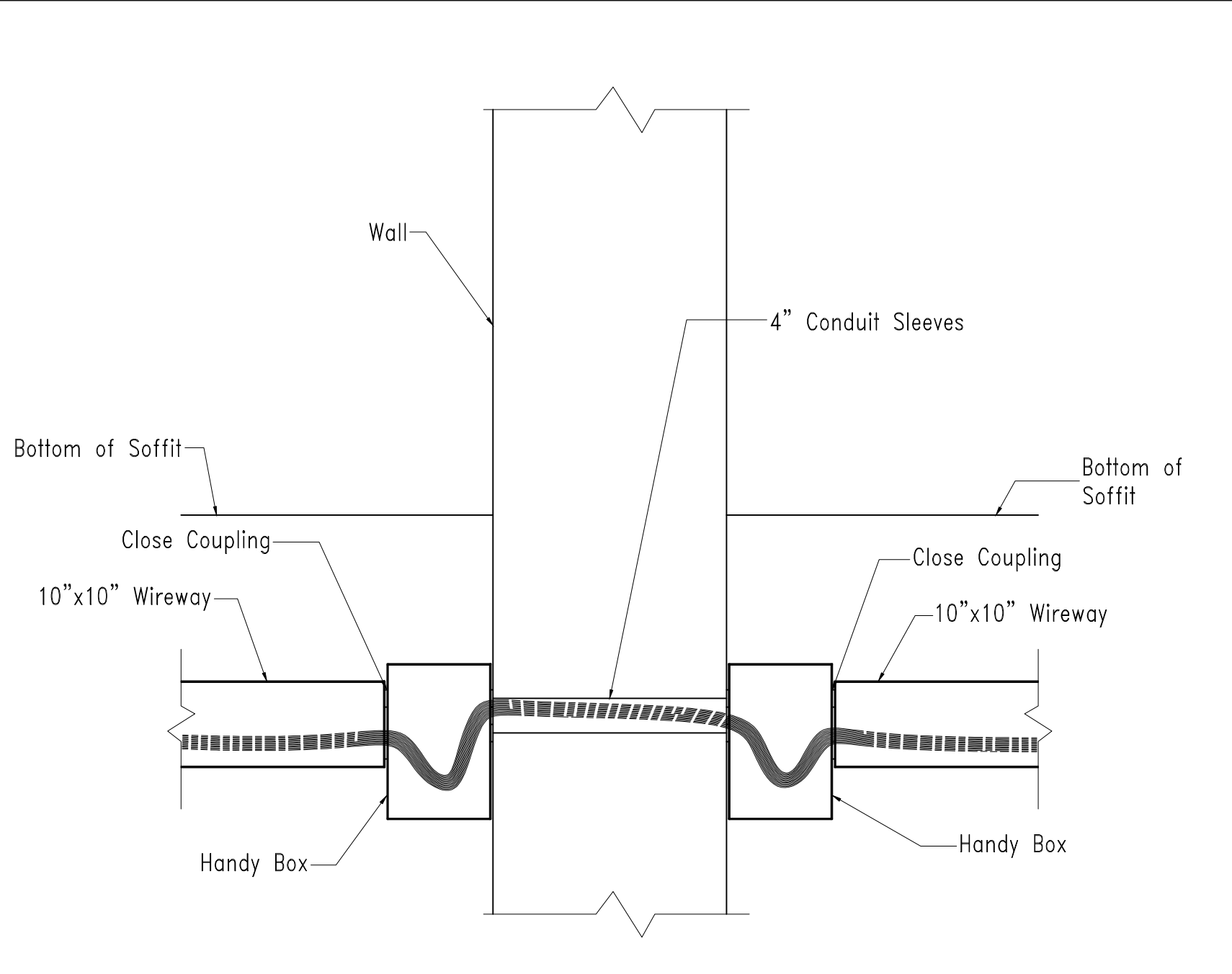
2 WIREWAY TRANSITION DETAIL
 BARB E-6 SCALE - NTS



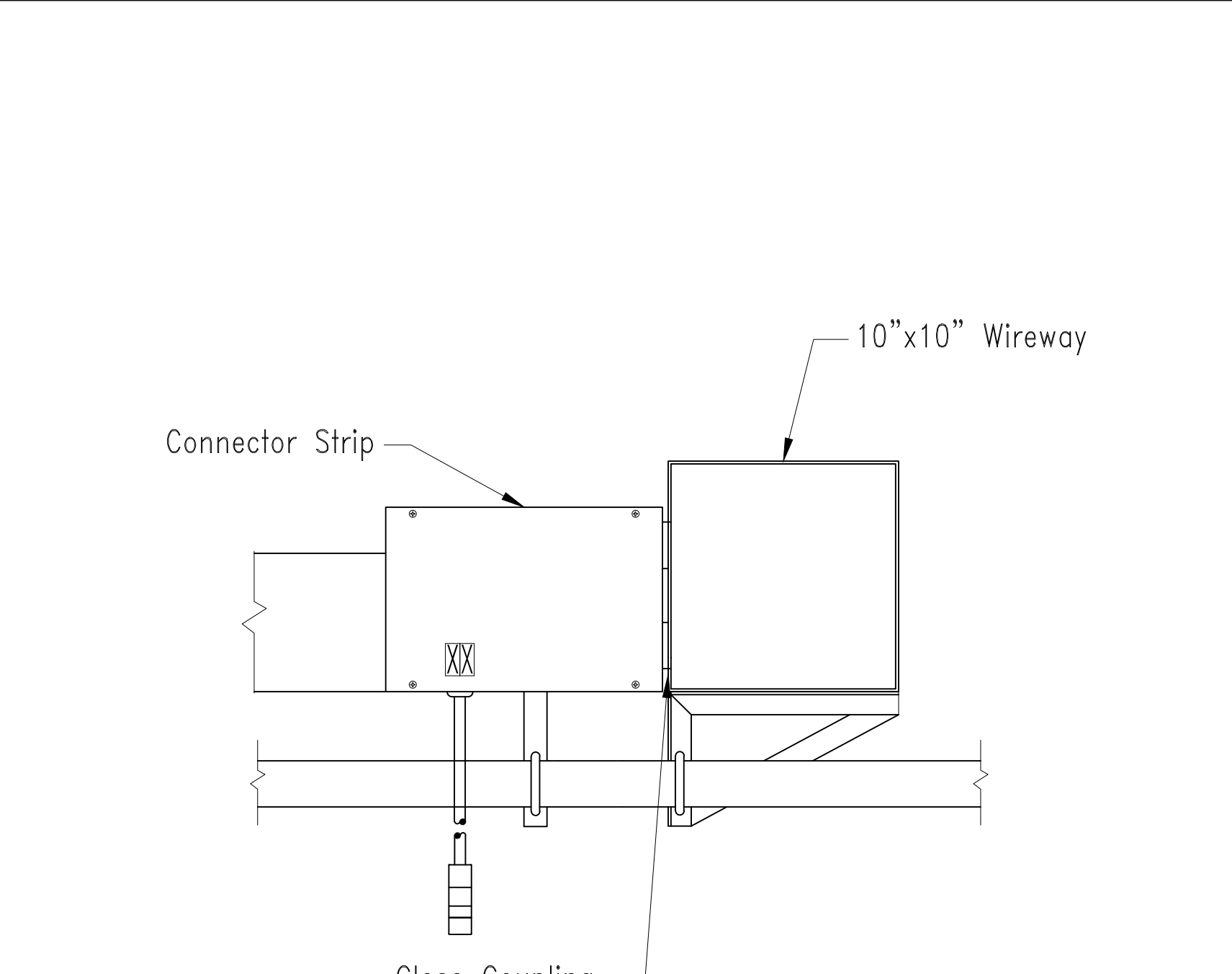
3 WIREWAY TRANSITION DETAIL
 BARB E-6 SCALE - NTS



4 WIREWAY TRANSITION DETAIL
 BARB E-6 SCALE - NTS



5 WIREWAY TRANSITION DETAIL
 BARB E-6 SCALE - NTS



6 CON. STRIP / WIREWAY TRANSITION
 BARB E-6 SCALE - NTS

DRAWING RESTRICTIONS:
 THESE DRAWINGS REPRESENT VISUAL CONCEPTS AND CONSTRUCTION SUGGESTIONS ONLY. IT IS NOT THE DESIGNER'S RESPONSIBILITY TO DETERMINE STRUCTURAL APPROPRIATENESS OF THIS DESIGN AND THE DESIGNER DOES NOT ASSUME RESPONSIBILITY FOR IMPROPER ENGINEERING, CONSTRUCTION, HANDLING, OR USE OF THE REPRESENTED EQUIPMENT.

NOTE:
 THE DATA IN THIS DOCUMENT INCORPORATES THE PROPRIETARY RIGHTS OF BARBIZON, INC. ANY PARTY ACCEPTING THIS DOCUMENT DOES SO IN CONFIDENCE, AND AGREES THAT IT SHALL NOT BE DUPLICATED, IN WHOLE OR IN PART, NOR DISCLOSED TO OTHERS WITHOUT THE WRITTEN CONSENT OF BARBIZON, INC.

No.	Revision/Issue	Date

ACOUSTICAL ENGR.
Shen Milson & Wilke
 CONSULTANTS IN ACOUSTICS, AUDIOVISUAL AND TELECOMMUNICATION SYSTEMS
 417 5th Avenue, 4th Floor, NEW YORK, NY 10016
 212-725-6800 FAX: 212-725-0864

ARCHITECT:
HLW
 HILWAY International LLP
 Architecture Engineering Planning Interiors
 115 Fifth Avenue New York NY 10003
 Tel 212 353 4600 Fax 212 353 4666

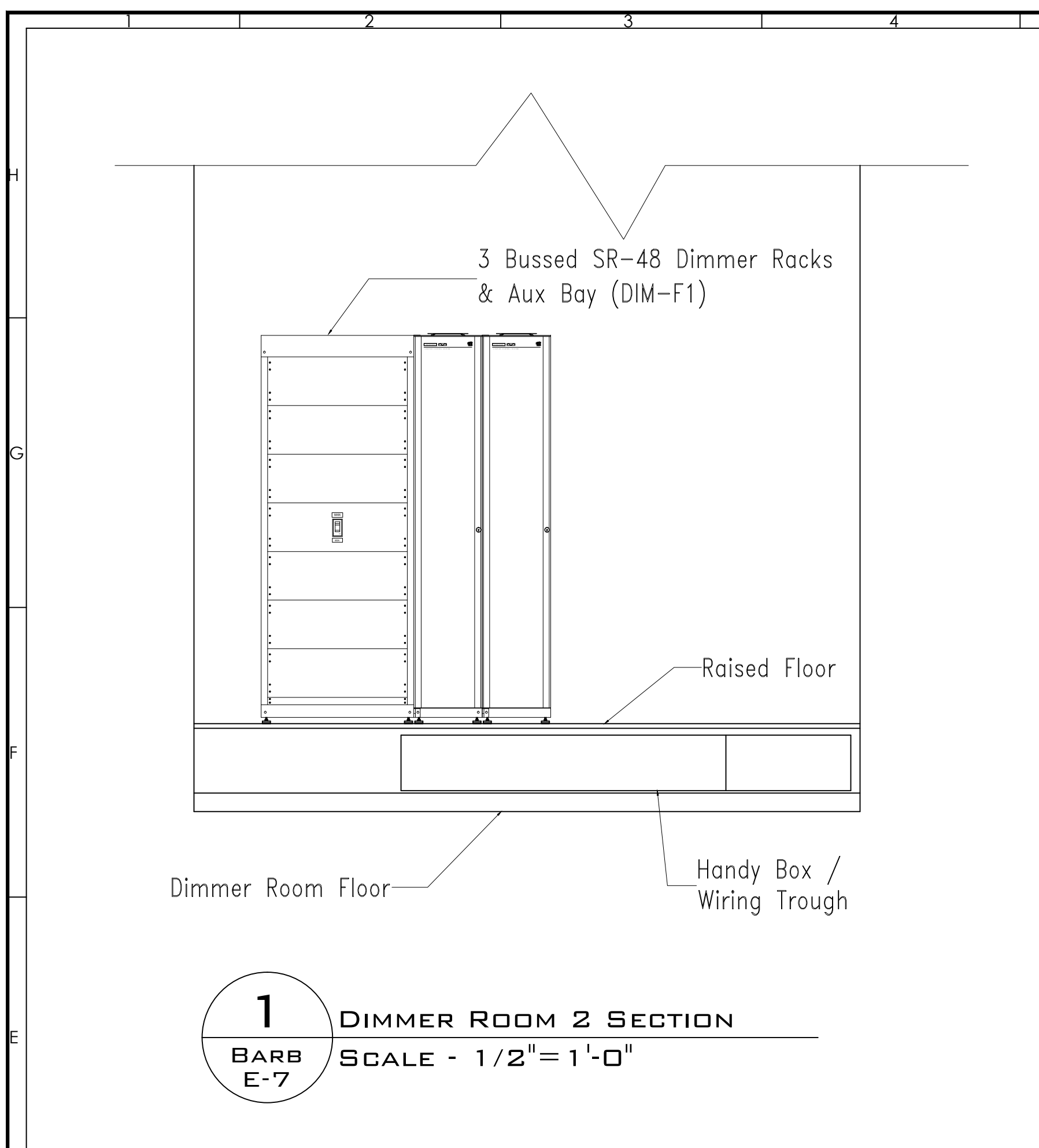
FEA
 FACILITIES ENGINEERING ASSOCIATES
 128 Garden Street, Farmington, CT 06032
 Phone: 860-677-2285 Fax: 860-676-9433
 www.feace.com

ESPN
 DIGITAL CENTER
 720 BIRCH STREET
 BRISTOL, CT

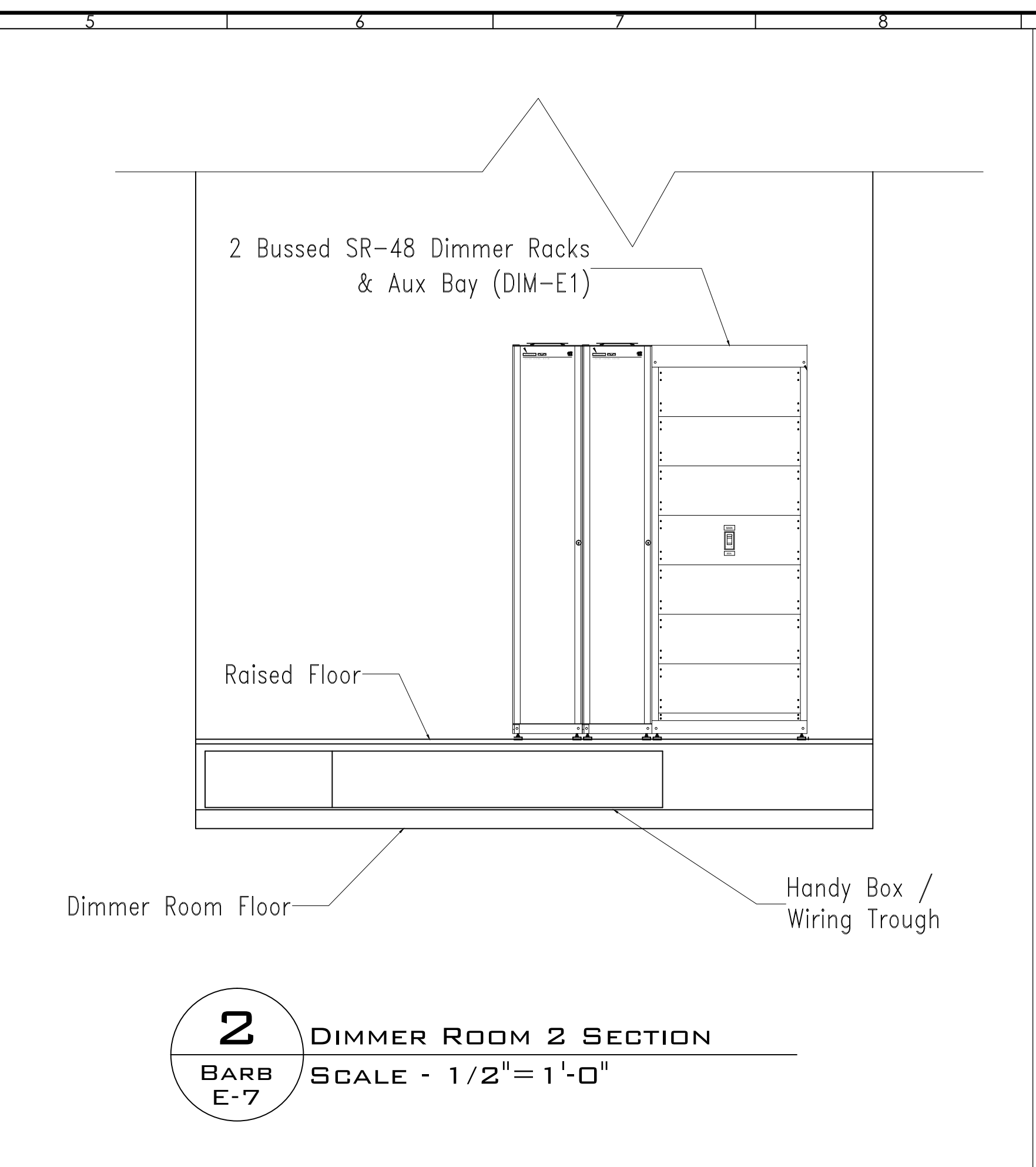
Dimming Device Details 2

Representative: W. CAPPS
 Project Manager: BARB -
 Drawn By: S. SIZEMORE
 Date: 3-7-03
 Scale: As Noted
E-6

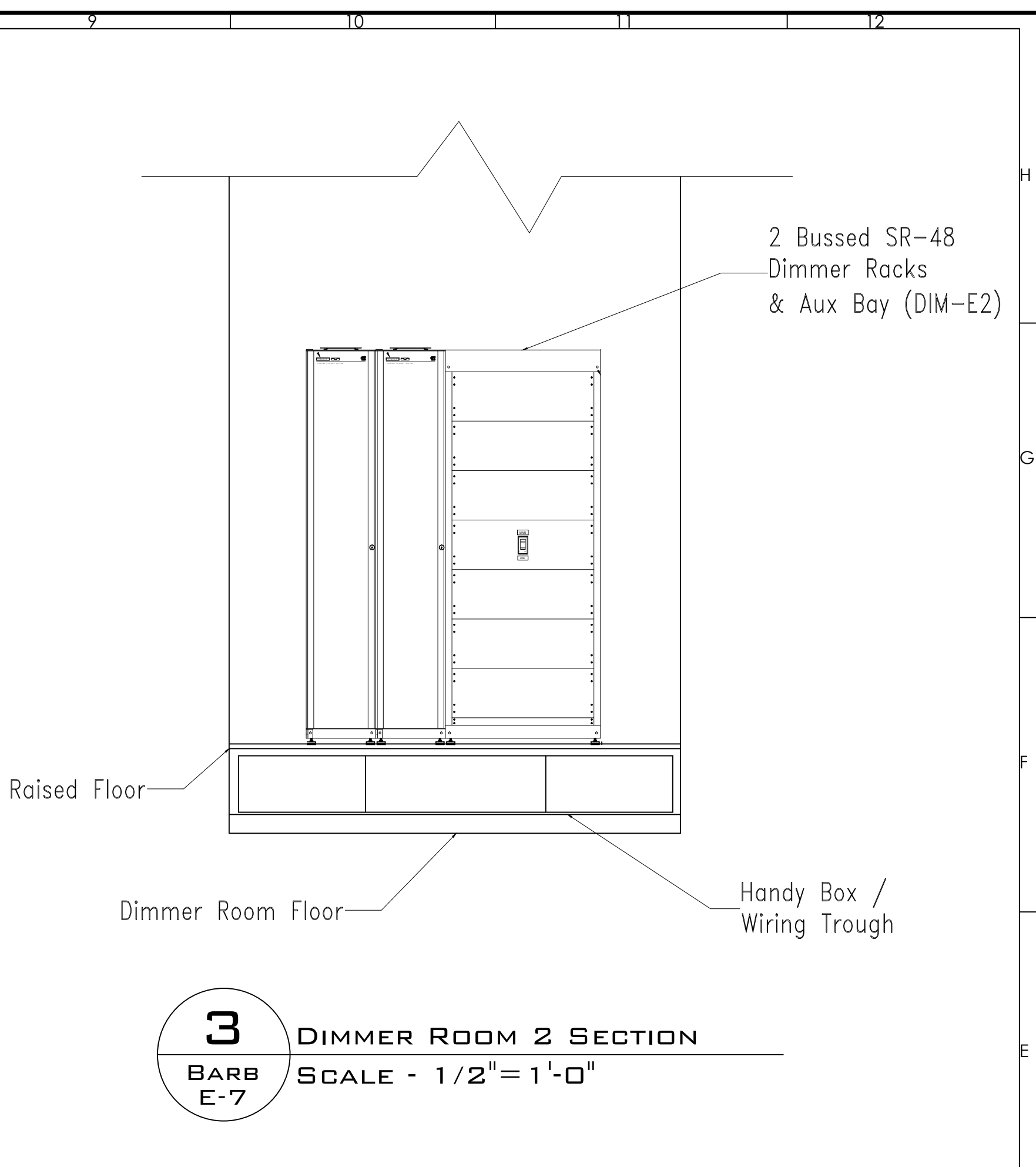
BARBIZON
 LIGHTING FOR PROFESSIONALS
 SYSTEMS DIVISION
 3 DRAPER STREET
 WOBURN, MA 01801
 PHONE - (781) 935-3920
 FAX - (781) 935-9273



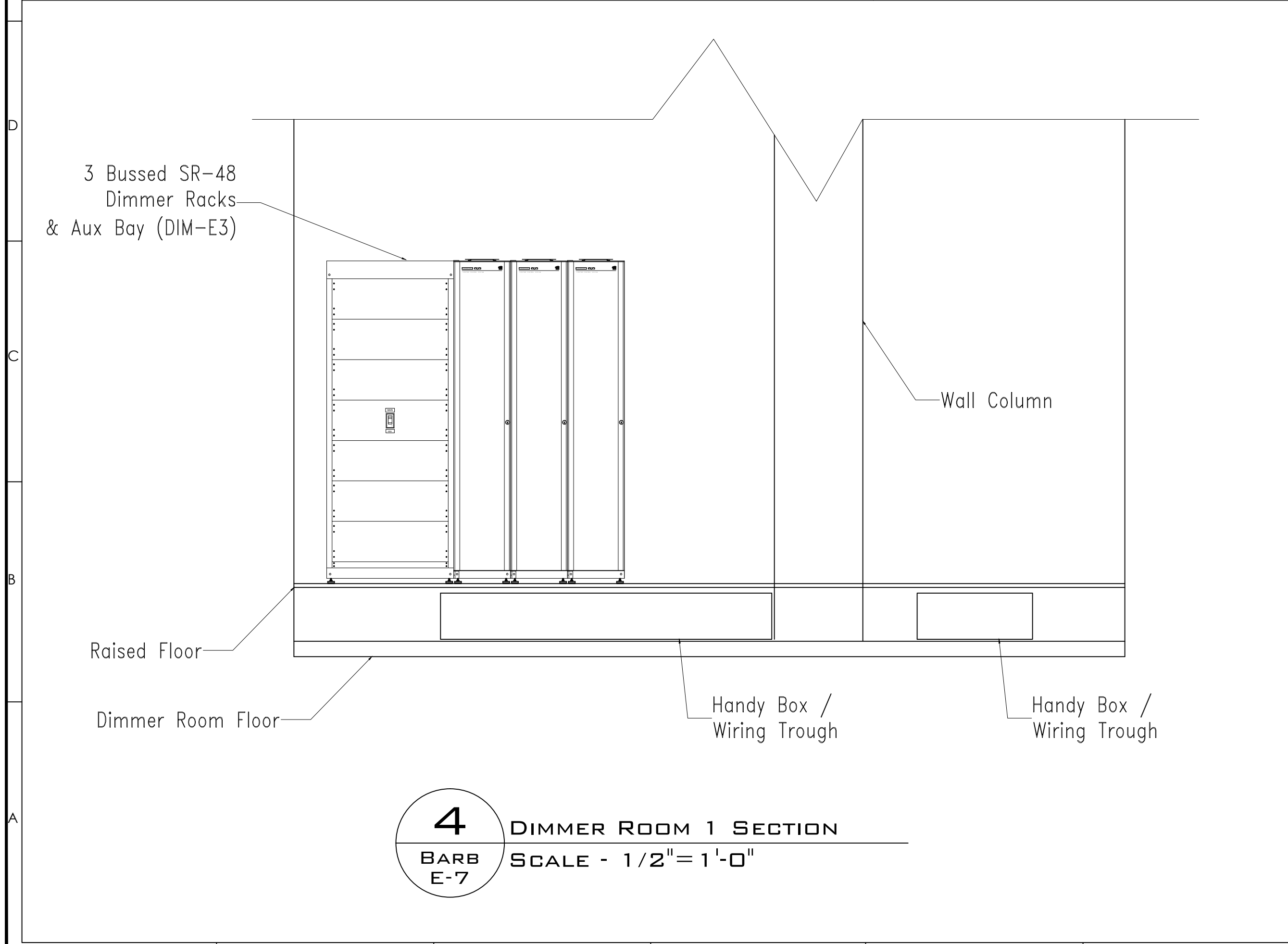
1 DIMMER ROOM 2 SECTION
 BARB E-7 SCALE - 1/2" = 1'-0"



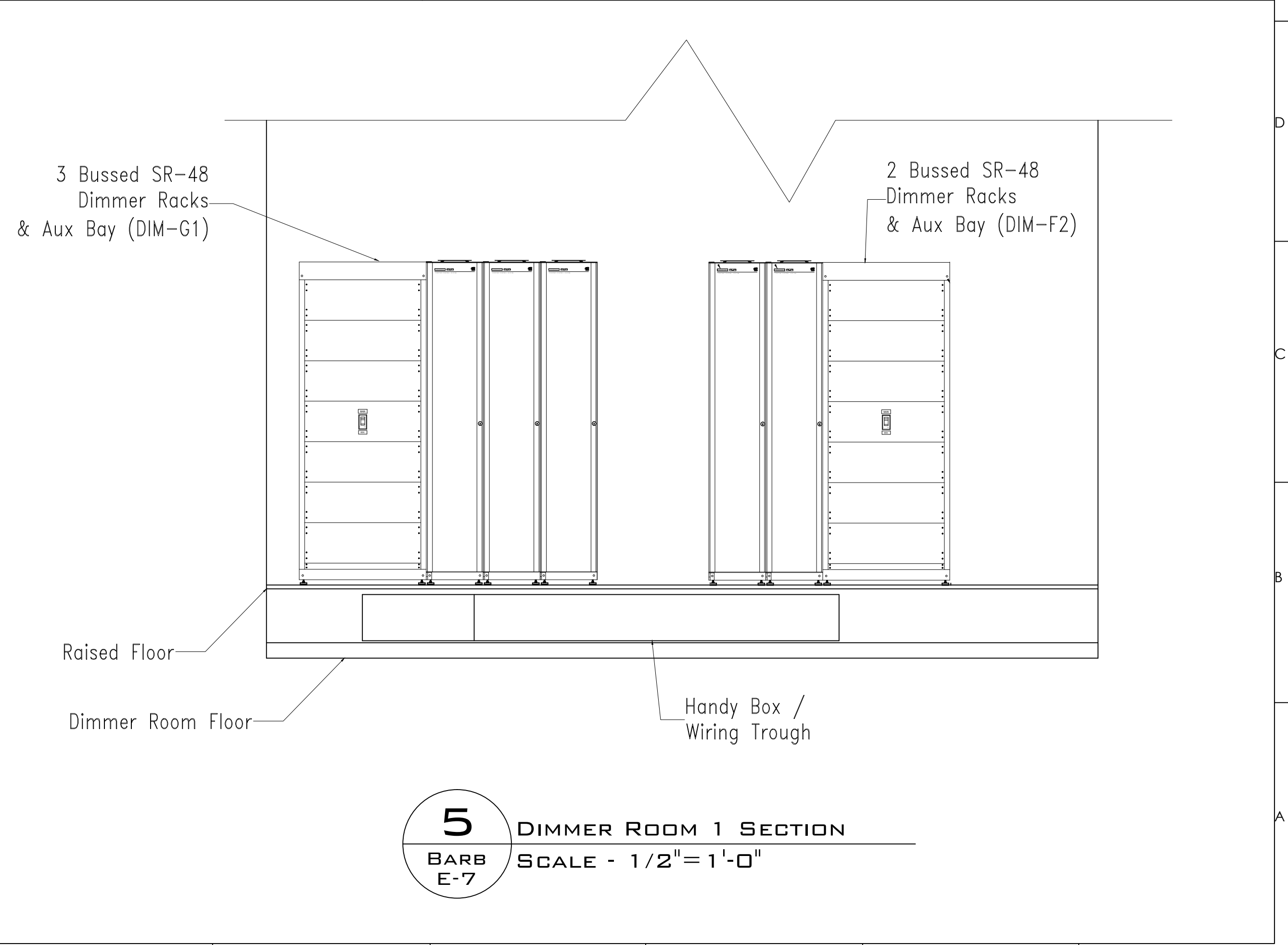
2 DIMMER ROOM 2 SECTION
 BARB E-7 SCALE - 1/2" = 1'-0"



3 DIMMER ROOM 2 SECTION
 BARB E-7 SCALE - 1/2" = 1'-0"



4 DIMMER ROOM 1 SECTION
 BARB E-7 SCALE - 1/2" = 1'-0"



5 DIMMER ROOM 1 SECTION
 BARB E-7 SCALE - 1/2" = 1'-0"

DRAWING RESTRICTIONS:
 THESE DRAWINGS REPRESENT VISUAL CONCEPTS AND CONSTRUCTION SUGGESTIONS ONLY. IT IS NOT THE DESIGNER'S RESPONSIBILITY TO DETERMINE STRUCTURAL APPROPRIATENESS OF THIS DESIGN AND THE DESIGNER DOES NOT ASSUME RESPONSIBILITY FOR IMPROPER ENGINEERING, CONSTRUCTION, HANDLING, OR USE OF THE REPRESENTED EQUIPMENT.

NOTE:
 THE DATA IN THIS DOCUMENT INCORPORATES THE PROPRIETARY RIGHTS OF BARBIZON, INC. ANY PARTY ACCEPTING THIS DOCUMENT DOES SO IN CONFIDENCE, AND AGREES THAT IT SHALL NOT BE DUPLICATED, IN WHOLE OR IN PART, NOR DISCLOSED TO OTHERS WITHOUT THE WRITTEN CONSENT OF BARBIZON, INC.

No.	Revision/Issue	Date

ACOUSTICAL ENGR.

Shen Milsom & Wilke

CONSULTANTS IN ACOUSTICS, AUDIOVISUAL AND TELECOMMUNICATION SYSTEMS
 417 5th Avenue, 4th Floor, NEW YORK, NY 10016
 212-725-6800 FAX: 212-725-0864

ARCHITECT:

HLW

HLW International LLP
 Architecture Engineering Planning Interiors
 115 Fifth Avenue New York NY 10003
 Tel 212 353 4600 Fax 212 353 4666

FEA

FACILITIES ENGINEERING ASSOCIATES
 128 Garden Street, Farmington, CT 06032
 Phone: 860-677-2285 Fax: 860-676-9433
 www.feace.com

ESPN®

DIGITAL CENTER
 720 BIRCH STREET
 BRISTOL, CT

Dimming Room Sections

Representative: W. CAPPS	Sheet: BARB -
Project Manager:	E-7
Drawn By: S. SIZEMORE	
Date: 3-7-03	
Scale: As Noted	

BARBIZON

LIGHTING FOR PROFESSIONALS
 SYSTEMS DIVISION

3 DRAPER STREET
 WOBURN, MA 01801
 PHONE - (781) 935-3920
 FAX - (781) 935-9273

STUDIO E									
Type	Number	Catalogue #	Feed	Description	Size	Mounting	20A Ckts	50A Ckts	Dimmer Panel
A	7	CS34-1-PIPE	R	Connectorstrip	29"	Pipe	8	0	Dim Rm 1
A	7	CS34-1-PIPE	R	Connectorstrip	29"	Pipe	8	0	Dim Rm 2
B	2	CS34-1-PIPE	R	Connectorstrip	29"	Pipe	7	1	Dim Rm 1
B	2	CS34-1-PIPE	R	Connectorstrip	29"	Pipe	7	1	Dim Rm 2
C	2	CS34-1-PIPE	R	Connectorstrip	29"	Pipe	7	1	Dim Rm 1
C	1	CS34-1-PIPE	R	Connectorstrip	29"	Pipe	7	1	Dim Rm 2
D	2	CS34-1-PIPE	R	Connectorstrip	21"	Pipe	6	0	Dim Rm 1
D	3	CS34-1-PIPE	R	Connectorstrip	21"	Pipe	6	0	Dim Rm 2
E	1	CS34-1-PIPE	L	Connectorstrip	29"	Pipe	8	0	Dim Rm 1
E	1	CS34-1-PIPE	L	Connectorstrip	29"	Pipe	8	0	Dim Rm 2
F	4	CS34-1-PIPE	L	Connectorstrip	37"	Pipe	10	0	Dim Rm 1
F	6	CS34-1-PIPE	L	Connectorstrip	37"	Pipe	10	0	Dim Rm 2
G	3	CS34-1-PIPE	L	Connectorstrip	37"	Pipe	9	1	Dim Rm 1
G	2	CS34-1-PIPE	L	Connectorstrip	37"	Pipe	9	1	Dim Rm 2
H	2	CS34-1-PIPE	L	Connectorstrip	37"	Pipe	9	1	Dim Rm 1
H	2	CS34-1-PIPE	L	Connectorstrip	37"	Pipe	9	1	Dim Rm 2
I	2	CS34-1-PIPE	L	Connectorstrip	37"	Pipe	9	1	Dim Rm 1
I	2	CS34-1-PIPE	L	Connectorstrip	37"	Pipe	9	1	Dim Rm 2
J	2	CS34-1-PIPE	L	Connectorstrip	25"	Pipe	7	0	Dim Rm 1
J	1	CS34-1-PIPE	L	Connectorstrip	25"	Pipe	7	0	Dim Rm 2
W1	10	WB412-3A		Wall Box		Wall	3	0	Dim Rm 1
W1	7	WB412-3A		Wall Box		Wall	3	0	Dim Rm 2
W2	1	WB412-3A		Wall Box		Wall	2	1	Dim Rm 1
W2	1	WB412-3A		Wall Box		Wall	2	1	Dim Rm 2
G1	34	WB412-3A		Grid Box		Pipe	3	0	Dim Rm 2

STUDIO F									
Type	Number	Model #	Feed	Description	Size	Mounting	20A Ckts	50A Ckts	Dimmer Panel
K	4	CS34-1-PIPE	R	Connector strip	25"	Pipe	7	0	Dim Rm 1
K	8	CS34-1-PIPE	R	Connector strip	25"	Pipe	7	0	Dim Rm 2
L	4	CS34-1-PIPE	R	Connector strip	25"	Pipe	6	1	Dim Rm 1
M	1	CS34-1-PIPE	R	Connector strip	13"	Pipe	4	0	Dim Rm 1
N	1	CS34-1-PIPE	R	Connector strip	5"	Pipe	2	0	Dim Rm 1
N	1	CS34-1-PIPE	R	Connector strip	5"	Pipe	2	0	Dim Rm 2
O	6	CS34-1-PIPE	L	Connector strip	21"	Pipe	6	0	Dim Rm 1
O	10	CS34-1-PIPE	L	Connector strip	21"	Pipe	6	0	Dim Rm 2
P	4	CS34-1-PIPE	L	Connector strip	21"	Pipe	5	1	Dim Rm 1
W1	6	WB412-3A		Wall Box		Wall	3	0	Dim Rm 1
W1	6	WB412-3A		Wall Box		Wall	3	0	Dim Rm 2
W2	2	WB412-3A		Wall Box		Wall	2	1	Dim Rm 2
G1	14	WB412-3A		Grid Box		Pipe	3	0	Dim Rm 1
G1	14	WB412-3A		Grid Box		Pipe	3	0	Dim Rm 2

STUDIO G									
Type	Number	Model #	Feed	Description	Size	Mounting	20A Ckts	50A Ckts	Dimmer Panel
Q	10	CS34-1-PIPE	R	Connector strip	17"	Pipe	5	0	Dim Rm 1
R	2	CS34-1-PIPE	R	Connector strip	17"	Pipe	4	1	Dim Rm 1
S	4	CS34-1-PIPE	R	Connector strip	9"	Pipe	3	0	Dim Rm 1
T	14	CS34-1-PIPE	L	Connector strip	17"	Pipe	5	0	Dim Rm 1
U	2	CS34-1-PIPE	L	Connector strip	17"	Pipe	4	1	Dim Rm 1
W1	4	WB412-3A		Wall Box		Wall	3	0	Dim Rm 1
W2	2	WB412-3A		Wall Box		Wall	2	1	Dim Rm 1
G1	20	WB412-3A		Grid Box		Pipe	3	0	Dim Rm 1

DRAWING RESTRICTIONS:
 THESE DRAWINGS REPRESENT VISUAL CONCEPTS AND CONSTRUCTION SUGGESTIONS ONLY. IT IS NOT THE DESIGNER'S RESPONSIBILITY TO DETERMINE STRUCTURAL APPROPRIATENESS OF THIS DESIGN AND THE DESIGNER DOES NOT ASSUME RESPONSIBILITY FOR IMPROPER ENGINEERING, CONSTRUCTION, HANDLING, OR USE OF THE REPRESENTED EQUIPMENT.

NOTE:
 THE DATA IN THIS DOCUMENT INCORPORATES THE PROPRIETARY RIGHTS OF BARBIZON, INC. ANY PARTY ACCEPTING THIS DOCUMENT DOES SO IN CONFIDENCE, AND AGREES THAT IT SHALL NOT BE DUPLICATED, IN WHOLE OR IN PART, NOR DISCLOSED TO OTHERS WITHOUT THE WRITTEN CONSENT OF BARBIZON, INC.

No.	Revision/Issue	Date

ACCOUSTICAL ENGR.



CONSULTANTS IN ACOUSTICS, AUDIOVISUAL AND TELECOMMUNICATION SYSTEMS
 417 5th Avenue, 4th Floor, NEW YORK, NY 10016
 212-725-6800 FAX: 212-725-0864

ARCHITECT:



HLW International LLP
 Architecture Engineering Planning Interiors
 115 Fifth Avenue New York NY 10003
 Tel 212 353 4600 Fax 212 353 4666



FACILITIES ENGINEERING ASSOCIATES
 128 Garden Street, Farmington, CT 06032
 Phone: 860-677-2285 Fax: 860-676-9433
 www.feace.com



DIGITAL CENTER
 720 BIRCH STREET
 BRISTOL, CT

Studio Device Spreadsheets

Representative: W. CAPPS	Sheet:
Project Manager:	BARB -
Drawn By: S. SIZEMORE	E-8
Date: 3-7-03	
Scale: Not To Scale	



LIGHTING FOR PROFESSIONALS
 SYSTEMS DIVISION
 3 DRAPER STREET
 WOBURN, MA 01801
 PHONE - (781) 935-3920
 FAX - (781) 935-9273